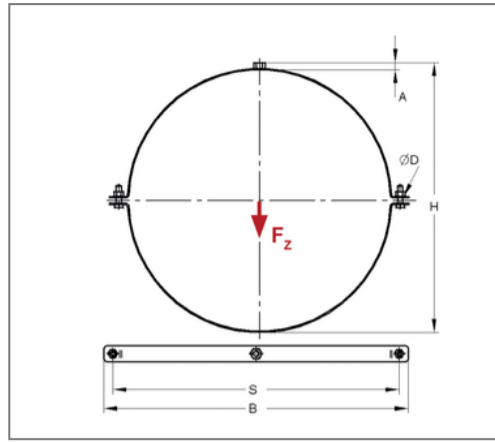


## ■ Ventilation pipe clamp Standard 30x3 DN 1120 without connection unlined



### Commercial details

Part no.	0441210
EAN/GTIN	4250928410634
Packing unit	1 pcs
Quantity unit	pcs
Weight	2,62 kg/pc
Product group	08-043
Price unit	100

### QR code



### Specification

Application area	pipe clamp for fixing ventilation pipes.
Specification	two-part
Connection	without connection
Closure	Nut / closure screw

### Technical data

Material	Steel
Material type	S235
Surface	galvanized
Sound insulation lining	unlined

### Product details

Center distance S	1167 mm
Width B	1192 mm
Height H	1138 mm
Material dimension	30x3 mm
load $F_z$	2 kN
Outer pipe diameter	1126 mm
Hole diameter D	10,5 mm