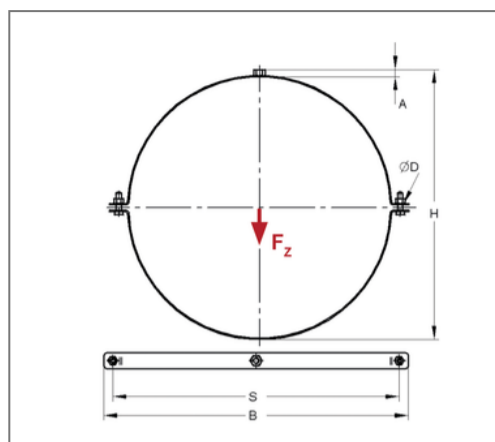


■ Ventilation pipe clamp Standard 30x3 DN 900 without connection unlined



Commercial details

Part no.	0439010
EAN/GTIN	4250928410597
Packing unit	1 pcs
Quantity unit	pcs
Weight	2,10 kg/pc
Product group	08-043
Price unit	100

QR code



Specification

Application area	Pipe clamp for fastening ventilation pipes.
Specification	two-part
Connection	without connection
Closure	Nut / closure screw

Technical data

Material	Steel
Material type	S235
Surface	galvanized
Corrosion category	C2 very high
Surrounding area	Indoor area
Sound insulation lining	unlined

Product details

Center distance S	945 mm
Width B	970 mm
Height H	916 mm
Material dimension	30x3 mm
Load F_z	2 kN
Outer pipe diameter	905 mm
Hole diameter D	10,5 mm