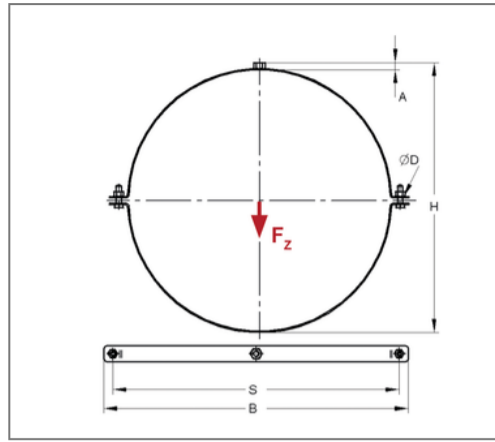


■ Ventilation pipe clamp Standard 25x2,5 DN 560 without connection unlined



Commercial details

Part no.	0435610
EAN/GTIN	4250928410474
Packing unit	1 pcs
Quantity unit	pcs
Weight	0,926 kg/pc
Product group	08-043
Price unit	100

QR code



Specification

Application area	pipe clamp for fixing ventilation pipes.
Specification	two-part
Connection	without connection
Closure	Nut / closure screw

Technical data

Material	Steel
Material type	S235
Surface	galvanized
Sound insulation lining	unlined

Product details

Center distance S	602 mm
Width B	627 mm
Height H	573 mm
Material dimension	25x2,5 mm
load F_z	2 kN
Outer pipe diameter	564 mm
Hole diameter D	8,5 mm