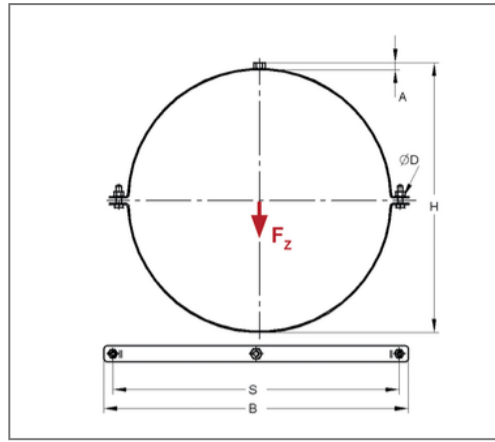


■ Ventilation pipe clamp Standard 20x2 DN 125 without connection unlined



Commercial details

Part no.	0431260
EAN/GTIN	4250928409621
Packing unit	1 pcs
Quantity unit	pcs
Weight	0,154 kg/pc
Product group	08-043
Price unit	100

QR code



Specification

Application area	pipe clamp for fixing ventilation pipes.
Specification	two-part
Connection	without connection
Closure	Nut / closure screw

Technical data

Material	Steel
Material type	S235
Surface	galvanized
Sound insulation lining	unlined

Product details

Center distance S	163 mm
Width B	188 mm
Height H	134 mm
Material dimension	20x2 mm
load F_z	1,5 kN
Outer pipe diameter	128 mm
Hole diameter D	8,5 mm