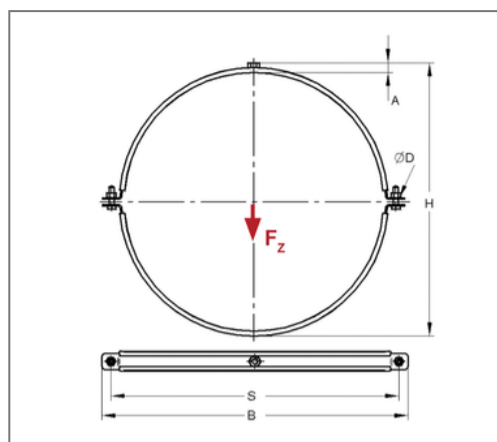


## ■ Ventilation pipe clamp Standard 25x3 DN 800 without connection TPE



### Commercial details

Part no.	0438000
EAN/GTIN	4250928410566
Packing unit	1 pcs
Quantity unit	pcs
Weight	2,01 kg/pc
Product group	08-043
Price unit	100

### QR code



### Certification



### Specification

Application area	Pipe clamp for fastening ventilation pipes.
Specification	two-part
Connection	without connection
Closure	Nut / closure screw

### Technical data

Material	Steel
Material type	S235
Surface	galvanized
Corrosion category	C2 very high
Surrounding area	Indoor area
Insulation thickness	6 mm
Temperature resistance	-35 °C - 100 °C
Sound insulation lining	TPE

### Product details

Center distance S	857 mm
Width B	882 mm
Colour sound insulation lining	black
Height H	828 mm
Material dimension	25x3 mm
Load $F_z$	2 kN
Outer pipe diameter	805 mm
Hole diameter D	10,5 mm