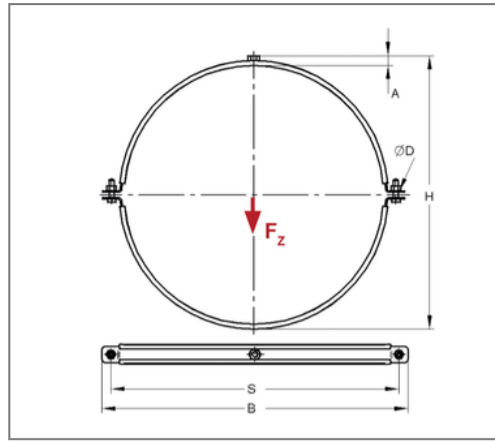


■ Ventilation pipe clamp Standard 20x2,5 DN 224 without connection TPE



Commercial details

Part no.	0432240
EAN/GTIN	4250928409904
Packing unit	1 pcs
Quantity unit	pcs
Weight	0,437 kg/pc
Product group	08-043
Price unit	100

QR code



Certification



Specification

Application area	pipe clamp for fixing ventilation pipes.
Specification	two-part
Connection	without connection
Closure	Nut / closure screw

Technical data

Material	Steel
Material type	S235
Surface	galvanized
Insulation thickness	6 mm
Temperature resistance	-35 °C - 100 °C
Sound insulation lining	TPE

Product details

Center distance S	274 mm
Width B	299 mm
Colour sound insulation lining	black
Height H	245 mm
Material dimension	20x2,5 mm
load Fz	1,5 kN
Outer pipe diameter	227 mm
Hole diameter D	8,5 mm