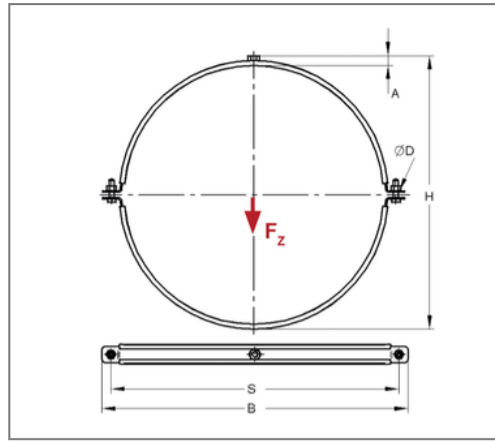


■ Ventilation pipe clamp Standard 25x2,5 DN 560 M8 TPE



Commercial details

Part no.	0435601
EAN/GTIN	4250928410450
Packing unit	1 pcs
Quantity unit	pcs
Weight	1,29 kg/pc
Product group	08-043
Price unit	100

QR code



Certification



Specification

Application area	Pipe clamp for fastening ventilation pipes.
Specification	two-part
Connection	M8
Closure	Nut / closure screw

Technical data

Material	Steel
Material type	S235
Surface	galvanized
Corrosion category	C2 very high
Surrounding area	Indoor area
Insulation thickness	6 mm
Temperature resistance	-35 °C - 100 °C
Sound insulation lining	TPE

Product details

Center distance S	613 mm
Connection height A	23 mm
Width B	638 mm
Colour sound insulation lining	black
Height H	597 mm
Material dimension	25x2,5 mm
Load F_z	2 kN
Outer pipe diameter	564 mm
Hole diameter D	8,5 mm
Closure screw	M8