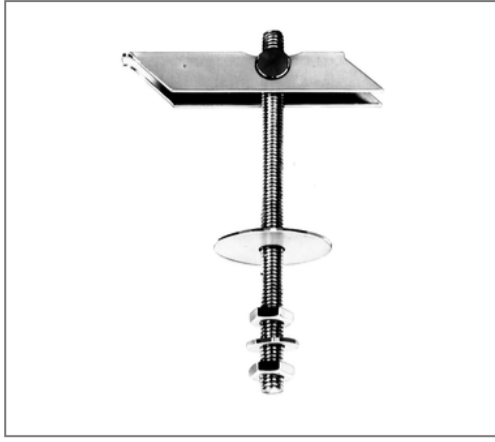


■ Toggle bolt K 8 Threaded rod M8x100



Commercial details

Part no.	2128306
EAN/GTIN	4250928437853
Packing unit	100 pcs
Quantity unit	pcs
Weight	0,0821 kg/pc
Product group	07-212
Price unit	1

QR code



Specification

Brand	SMK Meister
Application area	For cavity walls, suspended ceilings and cavity walls.

Technical data

Material	Steel
Surface	gavanized, chromated

Product details

Drill diameter	20 mm
Breaking loads	13 kN
Threaded rod type	M8x100
min. width of hollow	75 mm