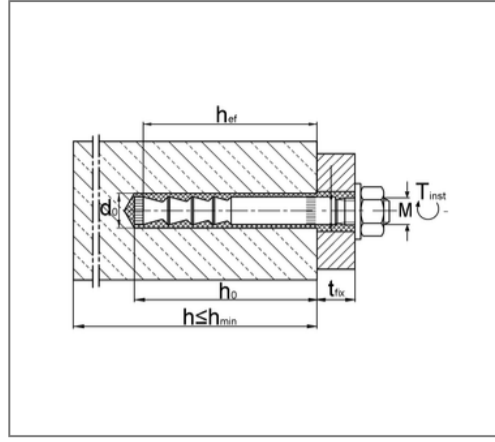


■ Conical stud VMZ A 60 M10 V4A Length 135 mm



Commercial details

Part no.	222832235501
EAN/GTIN	4043315053442
Packing unit	10 pcs
Quantity unit	pcs
Weight	0,0870 kg/pc
Product group	07-222
Price unit	1

QR code



Certification



Specification

Brand	MKT
Application area	For cracked and non-cracked concrete C20/25 to C50/60.
Fire protection	yes
Application area	Concrete

Technical data

Material	Stainless steel
Material type	V4A

Product details

Thread	M10
Length	135 mm
Wrench size	17
Tightening torque	15 Nm
Drilling hole depth	65 mm
Length dowel	135 mm
max. clamping thickness	60 mm
Setting depth	63 mm

Remark

Delivery time	3 working days, ex works
---------------	--------------------------