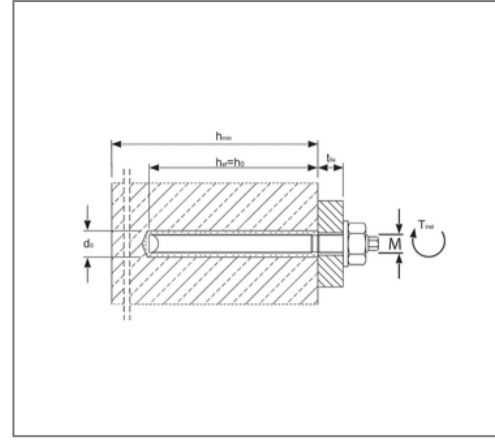
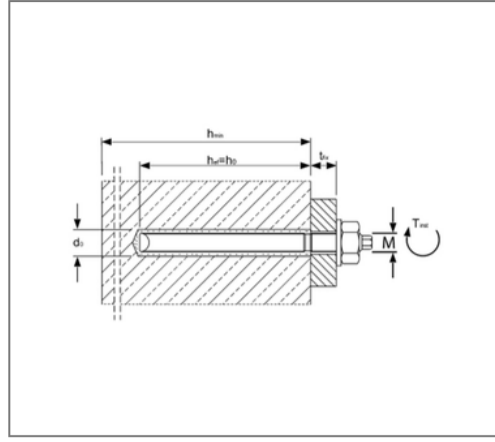


## ■ Conical stud V A M12 V4A Length 160 mm



### Commercial details

Part no.	222821306501
EAN/GTIN	4043315020659
Packing unit	10 pcs
Quantity unit	pcs
Weight	0,137 kg/pc
Product group	07-222
Price unit	1

### QR code



### Certification



### Specification

Application area	For non-cracked concrete C12/15 to C50/60.
Brand	MKT

### Product details

Drill diameter	14 mm
Drilling hole depth	110 mm
max. clamping thickness	35 mm
Depth of anchoring	110 mm
Wrench size nut	19
Wrench size anchor rod	8
Type of mortar cartridge	VZ-P 12
Length	160 mm
Thread	M12

### Technical data

Material	Stainless steel
Material type	V4A

### Remark

Delivery time	3 working days, ex works
---------------	--------------------------