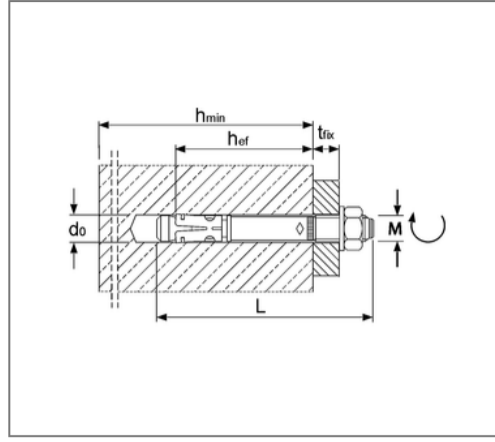


## ■ Bolt anchor BZ plus V4A Length thread 62 mm



### Commercial details

Part no.	222110030
EAN/GTIN	4043315007537
Packing unit	50 pcs
Quantity unit	pcs
Weight	0,0696 kg/pc
Product group	07-222
Price unit	100

### QR code



### Certification



### Specification

Brand	MKT
Application	For cracked and non-cracked concrete C20/25 to C50/60.

### Technical data

Material	Stainless steel
Material type	V4A

### Product details

Clamping thickness	30 mm
max. clamping thickness red.	50 mm
Drill diameter	10 mm
Drilling hole depth	75 mm
Drilling hole depth red.	55 mm
Setting depth	68 mm
Depth of anchoring	60 mm
Depth of anchoring red.	40 mm
Length dowel	110 mm
Thread	M10

### Remark

Delivery time	V4A - 3 working days, ex works
---------------	--------------------------------