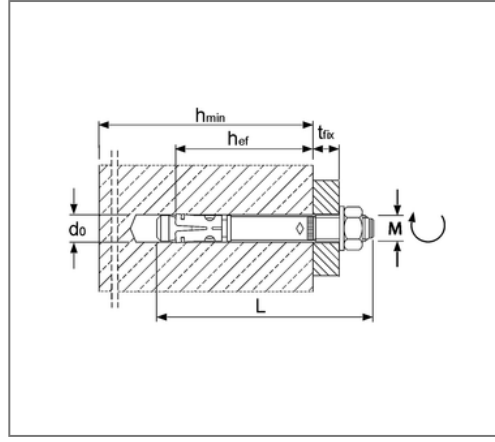


■ Bolt anchor BZ plus M12 Length thread 51 mm Steel



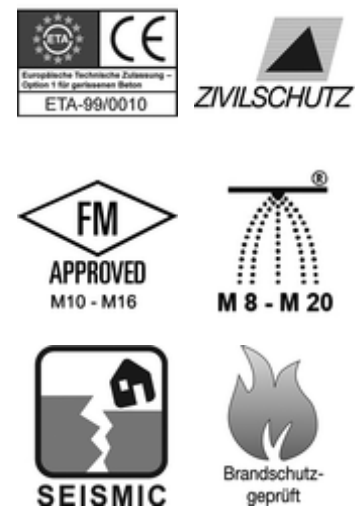
Commercial details

Part no.	221112015
EAN/GTIN	4043315096432
Packing unit	25 pcs
Quantity unit	pcs
Weight	0,102 kg/pc
Product group	07-221
Price unit	100

QR code



Certification



Specification

Brand	MKT
Application area	Anchoring of medium to heavy loads in cracked and uncracked concrete: supports, steel beams, railing fixings, cable trays, wooden structures and brackets.

Technical data

Material	Steel
Surface	galvanized

Product details

Clamping thickness	15 mm
max. clamping thickness red.	35 mm
Drill diameter	12 mm
Drilling hole depth	90 mm
Drilling hole depth red.	70 mm
Setting depth	80 mm
Depth of anchoring	70 mm
Depth of anchoring red.	50 mm
Length dowel	110 mm
Thread	M12

Remark

Delivery time	V4A - 3 working days, ex works
---------------	--------------------------------