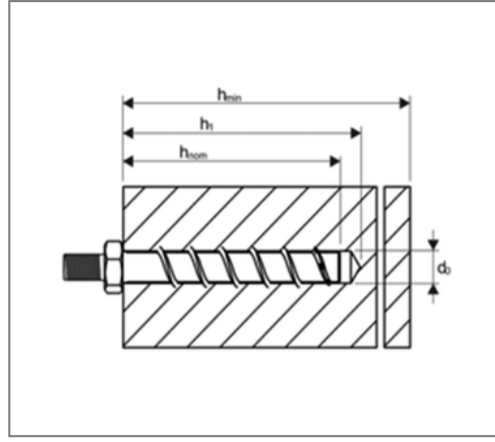


■ Concrete screw TSM 6 6x55 mm Shoulder screw M8x16



Commercial details

Part no.	2230002
EAN/GTIN	4260116911737
Packing unit	100 pcs
Quantity unit	pcs
Weight	0,0185 kg/pc
Product group	07-223
Price unit	100

QR code



Certification



Technical data

Material	Steel
Surface	galvanized

Specification

Brand	Toge
Application area	Self-tapping metal anchor for virtually expansion pressure-free installation in cracked and non-cracked concrete.

Product details

Length	55 mm
Male thread	M8x16
Wrench size	10
Shape head	Shoulder screw
Drill diameter	6 mm
min. drill hole depth	60 mm
Seismic	C1