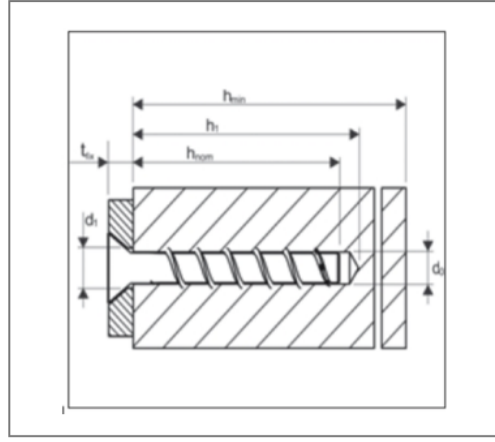


■ Concrete screw TSM 6 TX 30 6x80 mm Countersunk head 13 mm



Commercial details

Part no.	2230681
EAN/GTIN	4260116911492
Packing unit	100 pcs
Quantity unit	pcs
Weight	0,0180 kg/pc
Product group	07-223
Price unit	100

QR code



Certification



Technical data

Material	Steel
Surface	galvanized

Specification

Brand	Toge
Application area	Self-tapping metal anchor for virtually expansion pressure-free installation in cracked and non-cracked concrete.

Product details

Length	80 mm
Diameter head	13 mm
Shape head	Countersunk head
Drill diameter	6 mm
max. clamping thickness	25 mm
min. drill hole depth	60 mm
min. depth of anchoring	55 mm
TX drive	TX 30
Seismic	C1