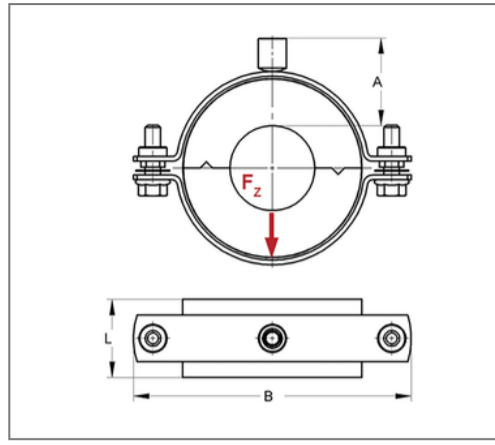
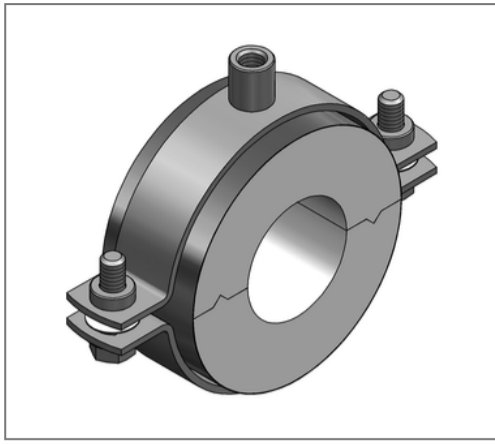


## ■ Insulated pipe clamp RG80s ALU/PU 21,3 mm Insulation 20 x 40 mm M8/M10



### Commercial details

|               |               |
|---------------|---------------|
| Part no.      | 70402248      |
| EAN/GTIN      | 4250928441249 |
| Packing unit  | 1 pcs         |
| Quantity unit | pcs           |
| Weight        | 0,0970 kg/pc  |
| Product group | 06-704        |
| Price unit    | 1             |

### QR code



### Certification



### Specification

|                  |  |
|------------------|--|
| Application area | A thermal decoupled mounting of tubes guarantees a reliable prevention of condensate for refrigeration, air-conditioning and drinking water technologies in the sector pipe-clamping |
| Insulation body  | ALU/PU   |

### Technical data

|                                   |                        |
|-----------------------------------|------------------------|
| Material                          | Steel                  |
| Material type                     | DD11                   |
| Material coat                     | Aluminum foil          |
| Surface                           | galvanized             |
| Class                             | B2                     |
| min. temperature resistance       | -50 °C                 |
| max. temperature resistance       | 120 °C                 |
| Thermal conductivity              | 0,025 W/mK             |
| Density shell                     | 80 kg/m <sup>3</sup>   |
| Density coat                      | 2700 kg/m <sup>3</sup> |
| Thicknes coat                     | 0,08 mm                |
| Water vapour diffusion resistance | 18750 μ                |

### Product details

|                      |                       |
|----------------------|-----------------------|
| Connection           | M8/M10                |
| Connection height A  | 40 mm                 |
| Width B              | 111 mm                |
| Insulation thickness | 20 mm                 |
| load F <sub>z</sub>  | 0,1 kN                |
| Length shell L       | 40 mm                 |
| statical load shell  | 0,1 N/mm <sup>2</sup> |

### Remark

|               |                                    |
|---------------|------------------------------------|
| Delivery time | 5 working days, ex works           |
| Notice        | exchange and returns are excluded. |