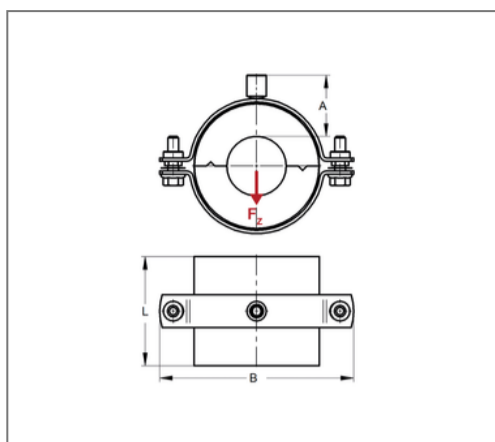
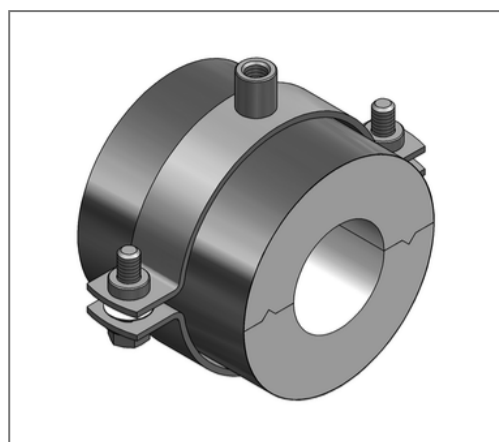


■ Insulated pipe clamp RG80 ALU/PU 219,1 mm Insulation 50 x 100 mm M16



Commercial details

| | |
|---------------|---------------|
| Part no. | 7652195 |
| EAN/GTIN | 4250928445391 |
| Packing unit | 1 pcs |
| Quantity unit | pcs |
| Weight | 2,79 kg/pc |
| Product group | 06-765 |
| Price unit | 1 |

QR code



Certification



Specification

| | |
|------------------|---|
| Application area | A thermal decoupled mounting of tubes guarantees a reliable prevention of condensate for refrigeration, air-conditioning and drinking water technologies in the sector pipe-clamping. |
| Insulation body | ALU/PU |

Technical data

| | |
|-----------------------------------|------------------------|
| Material | Steel |
| Material type | S235 |
| Material coat | Aluminum foil |
| Surface | galvanized |
| Corrosion category | C2 very high |
| Surrounding area | Indoor area |
| Class | B2 |
| min. temperature resistance | -80 °C |
| max. temperature resistance | 120 °C |
| Thermal conductivity | 0,025 W/mK |
| Density shell | 80 kg/m ³ |
| Density coat | 2700 kg/m ³ |
| Thicknes coat | 0,08 mm |
| Water vapour diffusion resistance | 18750 μ |

Product details

| | |
|----------------------|--------|
| Connection | M16 |
| Connection height A | 75 mm |
| Width B | 404 mm |
| Insulation thickness | 50 mm |
| Load F _z | 2,4 kN |

Remark

| | |
|---------------|------------------------------------|
| Delivery time | 5 working days, ex works |
| Notice | exchange and returns are excluded. |

Product details

| | |
|---------------------|-----------------------|
| Length shell L | 100 mm |
| Statical load shell | 0,1 N/mm ² |