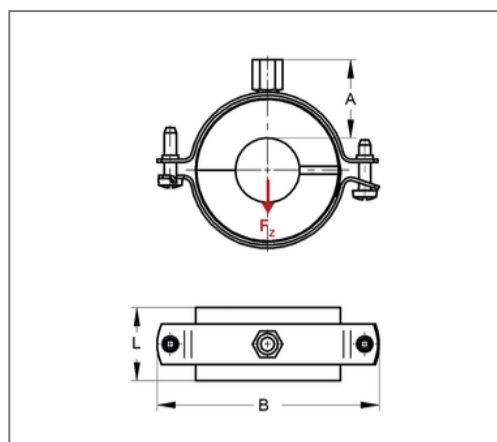
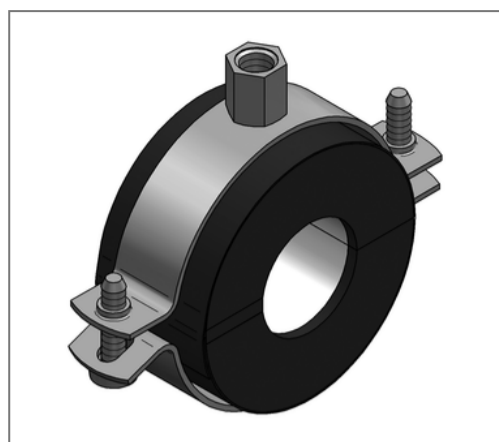


## ■ Insulated pipe clamp Husky IV 19 355,6 mm Insulation 24,5 M16



### Commercial details

Part no.	68435604
EAN/GTIN	4250928440969
Packing unit	1 pcs
Quantity unit	pcs
Weight	3,26 kg/pc
Product group	06-684
Price unit	1

### QR code



### Certification



### Specification

Application area	A thermal decoupled mounting of tubes guarantees a reliable prevention of condensate for refrigeration, air-conditioning and drinking water technologies in the sector pipe-clamping.
Insulation body	KA/PU

### Technical data

Material	Steel
Material type	S235
Material coat	Plastic
Surface	galvanized
Corrosion category	C2 very high
Surrounding area	Indoor area
Class	B2
min. temperature resistance	-45 °C
max. temperature resistance	105 °C
Thermal conductivity	0,029 W/mK
Density shell	120 kg/m <sup>3</sup>
Water vapour diffusion resistance	20000 μ

### Product details

Connection	M16
Connection height A	41 mm
Width B	486 mm
Insulation thickness	24,5 mm
Load F <sub>z</sub>	5,44 kN
Length shell L	66 mm
Statical load shell	0,27 N/mm <sup>2</sup>

### Remark

Notice	exchange and returns are excluded. Special design on request.
Note	delivery time on demand