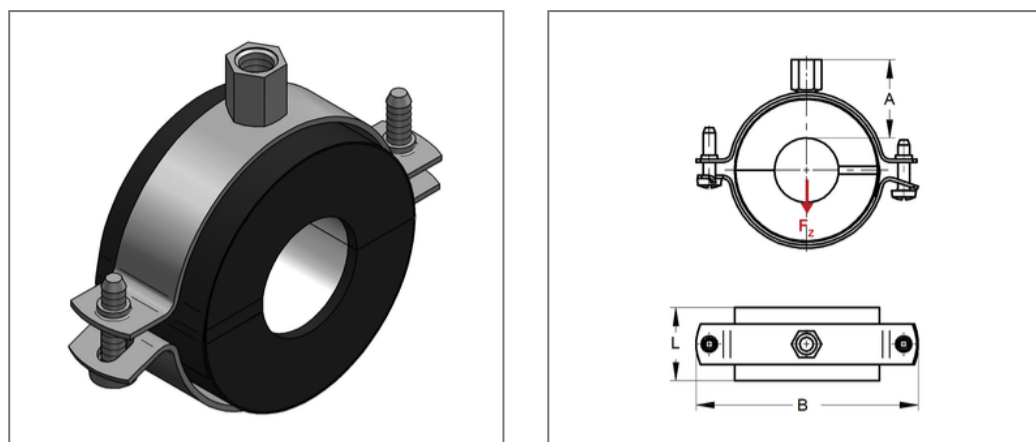


## ■ Insulated pipe clamp Husky II 13 168,3 mm Insulation 15,4 M10/M12



### Commercial details

Part no.	6831680
EAN/GTIN	4250928440655
Packing unit	2 pcs
Quantity unit	pcs
Weight	1,02 kg/pc
Product group	06-683
Price unit	1

### QR code



### Certification



### Specification

Application area	A thermal decoupled mounting of tubes guarantees a reliable prevention of condensate for refrigeration, air-conditioning and drinking water technologies in the sector pipe-clamping
Insulation body	KA/PU

### Technical data

Material	Steel
Material type	S235
Material coat	Plastic
Surface	galvanized
Class	B2
min. temperature resistance	-45 °C
max. temperature resistance	105 °C
Thermal conductivity	0,029 W/mK
Density shell	120 kg/m <sup>3</sup>
Water vapour diffusion resistance	20000 μ

### Product details

Connection	M10/M12
Connection height A	41 mm
Width B	272 mm
Insulation thickness	15,4 mm
load F <sub>Z</sub>	1,86 kN
Length shell L	51 mm
statical load shell	0,27 N/mm <sup>2</sup>

### Remark

Notice exchange and returns are excluded. Special design on request.