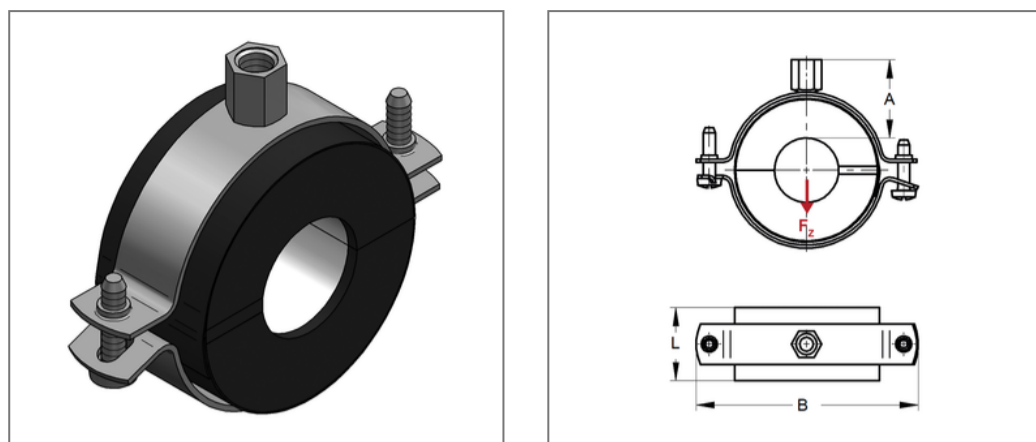


## ■ Insulated pipe clamp Husky II 13 35 mm Insulation 13 M8/M10



### Commercial details

Part no.	6830350
EAN/GTIN	4250928440464
Packing unit	12 pcs
Quantity unit	pcs
Weight	0,104 kg/pc
Product group	06-683
Price unit	1

### QR code



### Certification



### Specification

Application area	A thermal decoupled mounting of tubes guarantees a reliable prevention of condensate for refrigeration, air-conditioning and drinking water technologies in the sector pipe-clamping.
Insulation body	KA/PU

### Technical data

Material	Steel
Material type	DD11
Material coat	Plastic
Surface	galvanized
Corrosion category	C2 very high
Surrounding area	Indoor area
Class	B2
min. temperature resistance	-45 °C
max. temperature resistance	105 °C
Thermal conductivity	0,029 W/mK
Density shell	120 kg/m <sup>3</sup>
Water vapour diffusion resistance	20000 μ

### Product details

Connection	M8/M10
Connection height A	32 mm
Width B	102 mm
Insulation thickness	13 mm
Load F <sub>z</sub>	0,24 kN
Length shell L	36 mm
Statical load shell	0,27 N/mm <sup>2</sup>

### Remark

Notice exchange and returns are excluded. Special design on request.