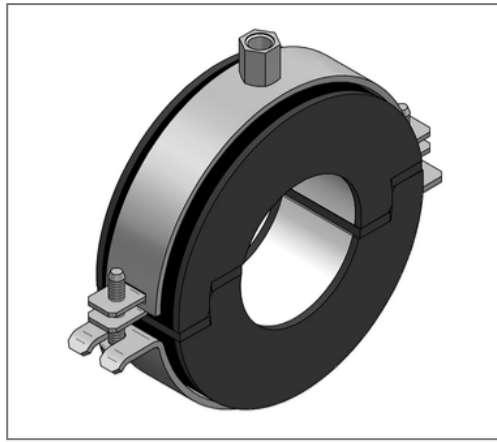


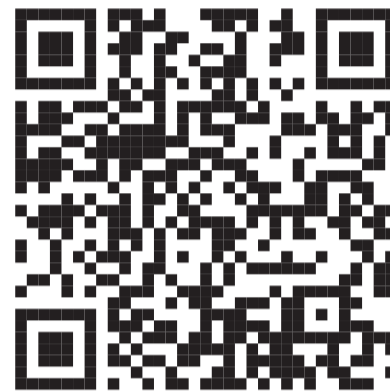
## ■ Insulated pipe clamp Polar Plus 76,1 mm Insulation 30 M8/M10



### Commercial details

|               |               |
|---------------|---------------|
| Part no.      | 74630760      |
| EAN/GTIN      | 4250928442758 |
| Packing unit  | 15 pcs        |
| Quantity unit | pcs           |
| Weight        | 0,326 kg/pc   |
| Product group | 06-746        |
| Price unit    | 1             |

### QR code



### Certification



### Specification

|                  |                                                                                                                                                                                       |
|------------------|---------------------------------------------------------------------------------------------------------------------------------------------------------------------------------------|
| Application area | A thermal decoupled mounting of tubes guarantees a reliable prevention of condensate for refrigeration, air-conditioning and drinking water technologies in the sector pipe-clamping. |
| Insulation body  | AC/PU                                                                                                                                                                                 |

### Technical data

|                                   |                       |
|-----------------------------------|-----------------------|
| Material                          | Steel                 |
| Material type                     | DD11                  |
| Surface                           | galvanized            |
| Corrosion category                | C2 very high          |
| Surrounding area                  | Indoor area           |
| Class                             | B2                    |
| min. temperature resistance       | -50 °C                |
| max. temperature resistance       | 105 °C                |
| Thermal conductivity              | 0,03 W/mK             |
| Density shell                     | 145 kg/m <sup>3</sup> |
| Water vapour diffusion resistance | 36000 μ               |

### Product details

|                      |                        |
|----------------------|------------------------|
| Connection           | M8/M10                 |
| Connection height A  | 48 mm                  |
| Width B              | 175 mm                 |
| Insulation thickness | 30 mm                  |
| Load F <sub>z</sub>  | 0,88 kN                |
| Length shell L       | 41 mm                  |
| Statical load shell  | 0,38 N/mm <sup>2</sup> |

### Remark

Notice exchange and returns are excluded. Special design on request.