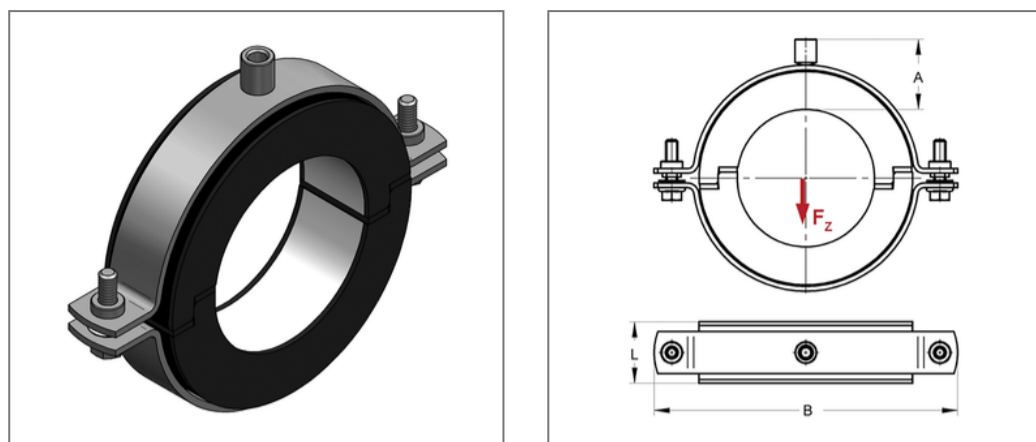


■ Insulated pipe clamp Polar Plus 108 mm Insulation 20 M10/M12



Commercial details

Part no.	74621080
EAN/GTIN	4250928442659
Packing unit	10 pcs
Quantity unit	pcs
Weight	0,837 kg/pc
Product group	06-746
Price unit	1

QR code



Certification



Specification

Application area	A thermal decoupled mounting of tubes guarantees a reliable prevention of condensate for refrigeration, air-conditioning and drinking water technologies in the sector pipe-clamping.
Insulation body	AC/PU

Technical data

Material	Steel
Material type	S235
Surface	galvanized
Corrosion category	C2 very high
Surrounding area	Indoor area
Class	B2
min. temperature resistance	-50 °C
max. temperature resistance	105 °C
Thermal conductivity	0,031 W/mK
Density shell	145 kg/m ³
Water vapour diffusion resistance	36000 μ

Product details

Connection	M10/M12
Connection height A	45 mm
Width B	226 mm
Insulation thickness	20 mm
Load F _z	1,68 kN
Length shell L	51 mm
Statical load shell	0,38 N/mm ²

Remark

Notice exchange and returns are excluded. Special design on request.