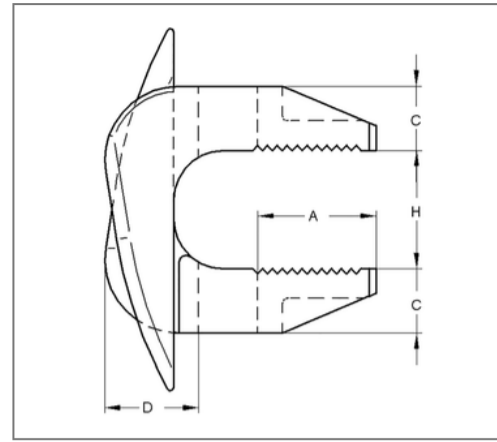
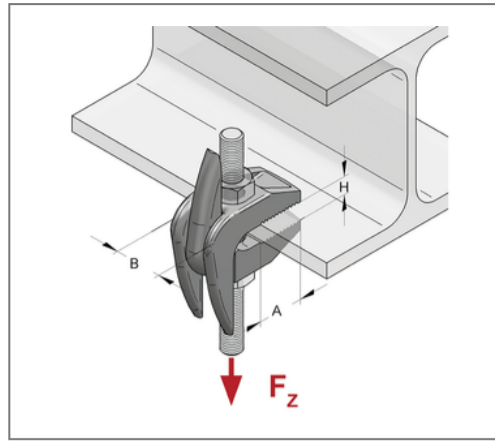
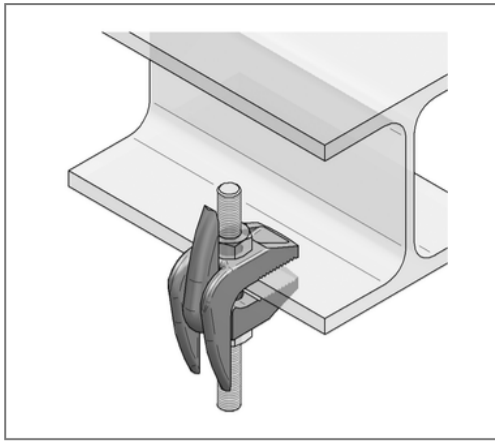


## ■ Beam clamp Cast iron F9 Clamping range 19 - 42 mm Hole for M10



### Commercial details

Part no.	0579702
EAN/GTIN	4250928414786
Packing unit	1 pcs
Quantity unit	pcs
Weight	0,260 kg/pc
Product group	05-057
Price unit	1

### QR code



### Specification

Application area	For mounting suspensions to steel girders. Not suitable for inclined flanges.
Type of attachment	with pass hole

### Technical data

Material	Malleable cast iron
Surface	galvanized
Corrosion category	C2 very high
Surrounding area	Indoor area
min. clamping thickness H	19 mm
max. clamping thickness H	42 mm

### Product details

Load $F_z$	1,96 kN
Thread	for M10
Thickness C	13 mm
Tightening torque	20 Nm