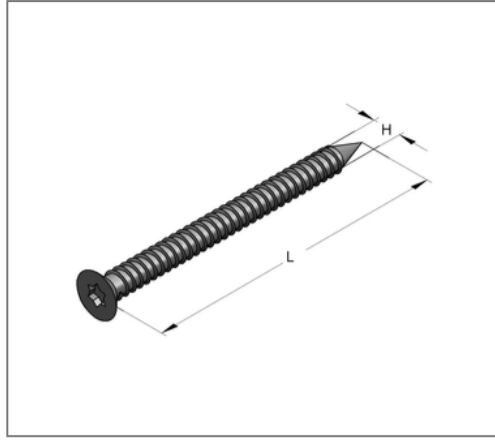
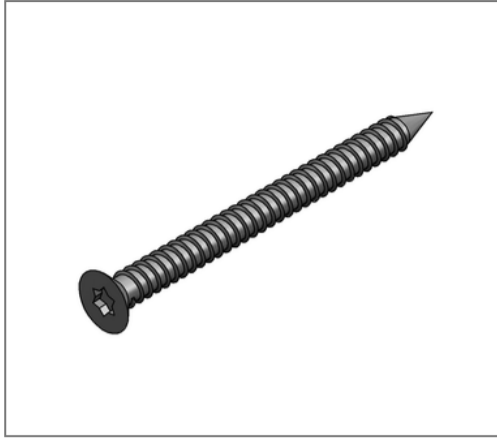


## ■ Countersunk head Wood screw H5 x 50 mm galv.



### Commercial details

Part no.	372050050
EAN/GTIN	4250928438850
Packing unit	500 pcs
Quantity unit	pcs
Weight	0,0044 kg/pc
Product group	05-372
Price unit	100

### QR code



### Specification

Type dowel	K2 8x44
------------	---------

### Technical data

Material	Steel
Surface	galvanized
Corrosion category	C2 very high
Surrounding area	Indoor area

### Product details

Thread H	H5
Length L	50 mm
Diameter head	10 mm
Shape head	Countersunk head