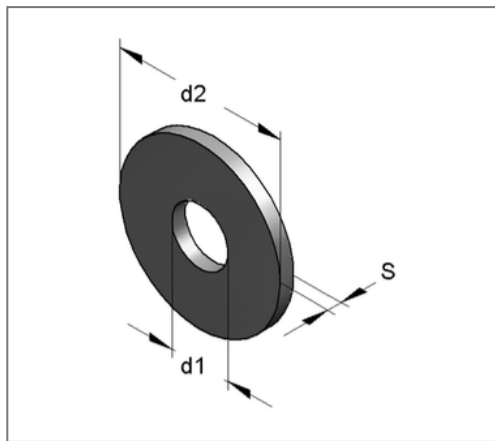
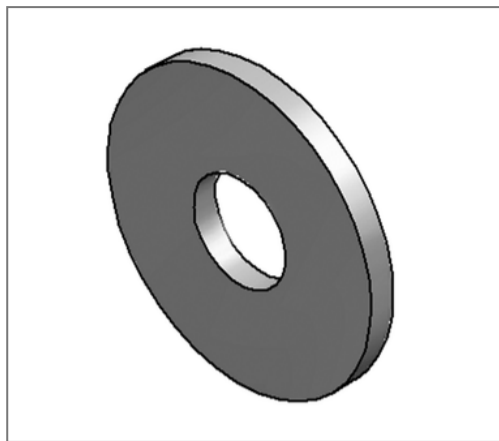


## ■ Washer reinforced 13 x 30 x 2,5 mm galv.



### Commercial details

Part no.	4351282
EAN/GTIN	4250928439307
Packing unit	100 pcs
Quantity unit	pcs
Weight	0,0115 kg/pc
Product group	05-435
Price unit	100

### QR code



### Technical data

Material	Steel
Surface	galvanized
Corrosion category	C2 very high
Surrounding area	Indoor area

### Product details

Inner diameter d1	13 mm
Outer diameter d2	30 mm
Thickness S	2,5 mm