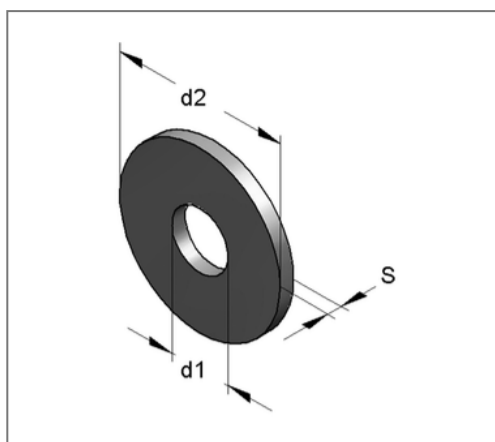
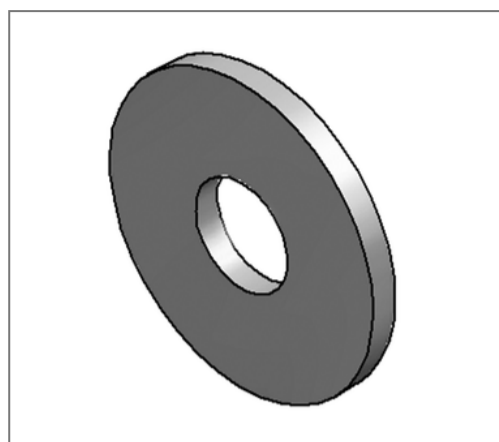


■ Washer DIN 9021 10,5 x 30 x 2,5 mm galv.



Commercial details

Part no.	4330269
EAN/GTIN	4250928439093
Packing unit	100 pcs
Quantity unit	pcs
Weight	0,0124 kg/pc
Product group	05-433
Price unit	100

QR code



Technical data

Material	Steel
Surface	galvanized

Specification

Specification	reinforced
---------------	------------

Product details

Inner diameter d_1	10,5 mm
Outer diameter d_2	30 mm
Thickness S	2,5 mm