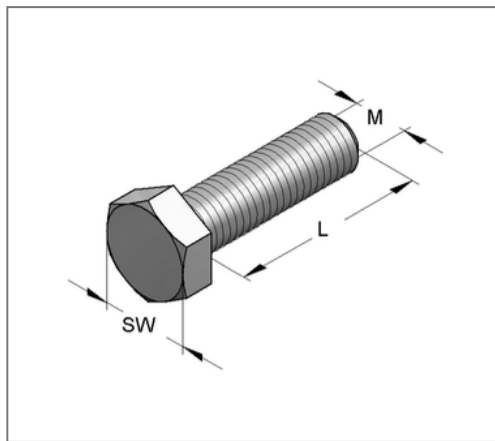
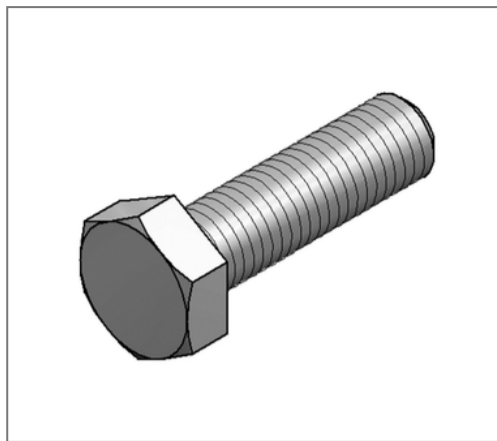


## ■ Hexagon screw EN ISO 4017 M10 x 16 mm galv. FK 8.8



### Commercial details

Part no.	3205162
EAN/GTIN	4250928438003
Packing unit	100 pcs
Quantity unit	pcs
Weight	0,0207 kg/pc
Product group	05-320
Price unit	100

### QR code



### Technical data

Material	Steel
Surface	galvanized
Corrosion category	C2 very high
Surrounding area	Indoor area
Norm	DIN EN ISO 4017
Strength class	8.8

### Product details

Thread M	M10
Length L	16 mm
Wrench size SW	17
Shape head	Hexagon head