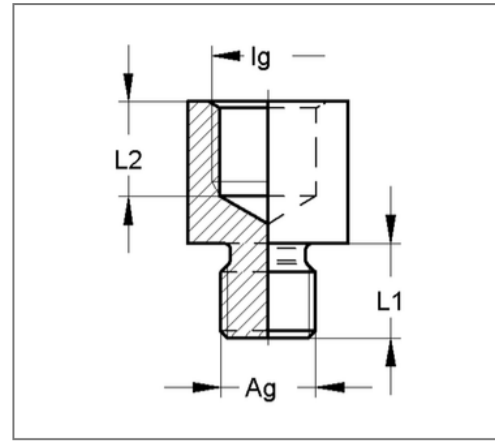
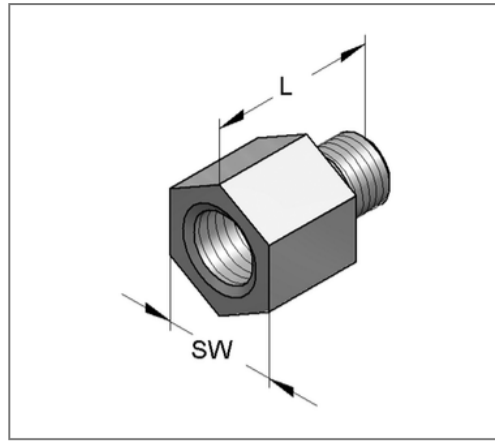
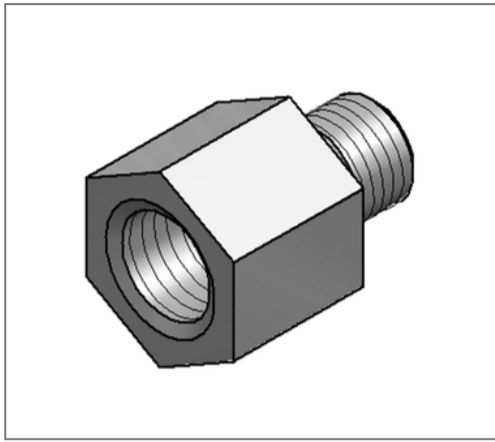


## ■ Reducer hexagon hexagon female thread 1/2" male thread M16 L=35 mm



### Commercial details

|               |               |
|---------------|---------------|
| Part no.      | 0726510       |
| EAN/GTIN      | 4250928416414 |
| Packing unit  | 25 pcs        |
| Quantity unit | pcs           |
| Weight        | 0,116 kg/pc   |
| Product group | 05-072        |
| Price unit    | 100           |

### QR code



### Technical data

|                    |              |
|--------------------|--------------|
| Material           | Steel        |
| Surface            | galvanized   |
| Corrosion category | C2 very high |
| Surrounding area   | Indoor area  |

### Product details

|                         |         |
|-------------------------|---------|
| Length H                | 35 mm   |
| Female thread Ig        | 1/2"    |
| Length female thread L1 | 13,5 mm |
| Wrench size             | 30      |
| Male thread Ag          | M16     |
| Length male thread L1   | 11 mm   |