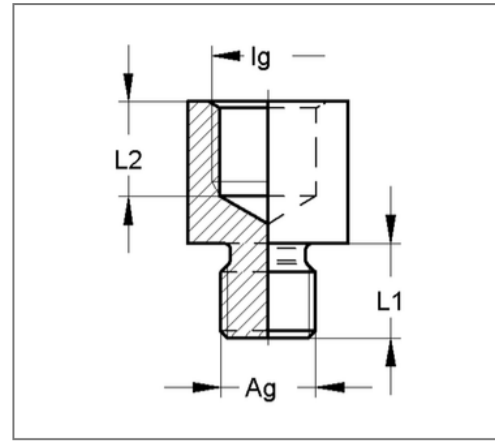
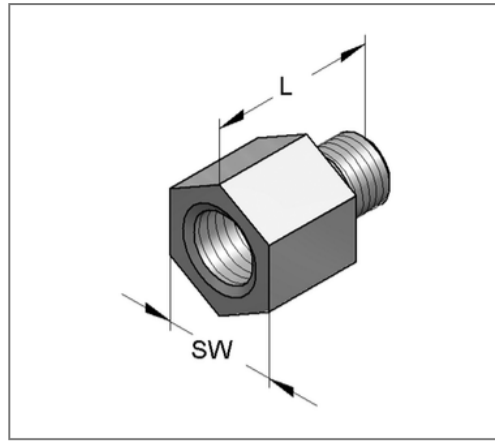
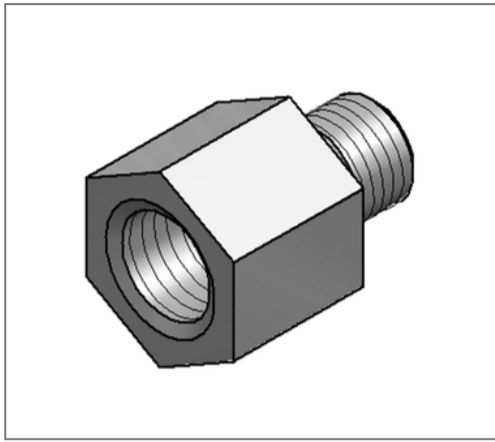


■ Reducer hexagon hexagon female thread 1/2" male thread M12 L=29 mm



Commercial details

Part no.	0726509
EAN/GTIN	4250928416407
Packing unit	50 pcs
Quantity unit	pcs
Weight	0,0488 kg/pc
Product group	05-072
Price unit	100

QR code



Technical data

Material	Steel
Surface	galvanized
Corrosion category	C2 very high
Surrounding area	Indoor area

Product details

Length H	29 mm
Female thread Ig	1/2"
Length female thread L1	11 mm
Wrench size	24
Male thread Ag	M12
Length male thread L1	8 mm