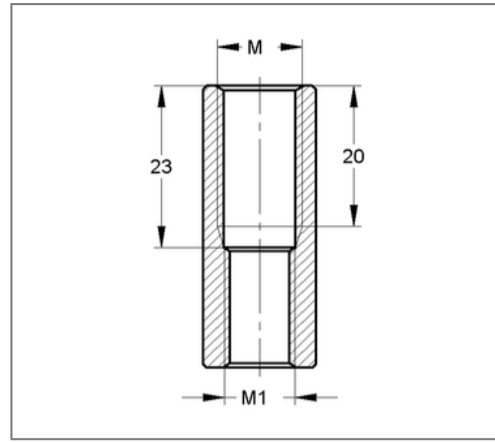
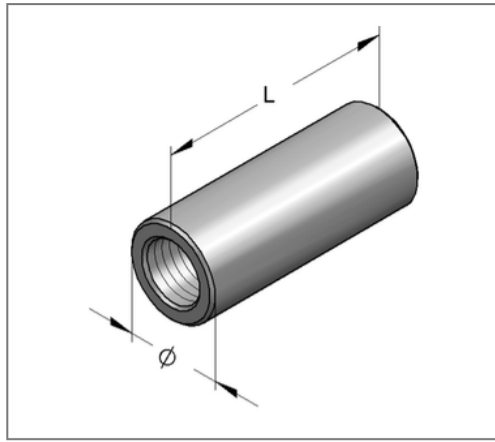
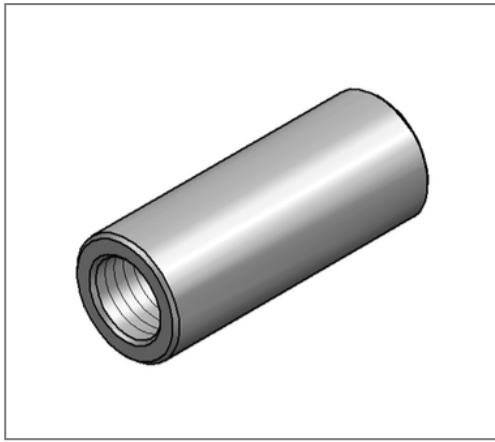


■ Reducing socket round female thread M12 on female thread M16 L= 40 mm



Commercial details

Part no.	0710105
EAN/GTIN	4250928416346
Packing unit	25 pcs
Quantity unit	pcs
Weight	0,0807 kg/pc
Product group	05-071
Price unit	100

QR code



Technical data

Material	Steel
Surface	galvanized

Product details

Length L	40 mm
Female thread M1	M12
Length female thread 1	16 mm
Outer diameter	22 mm
Female thread 2 M	M16
Length female thread 2	20 mm