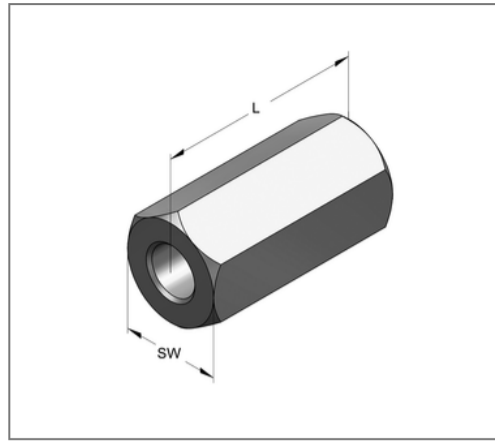
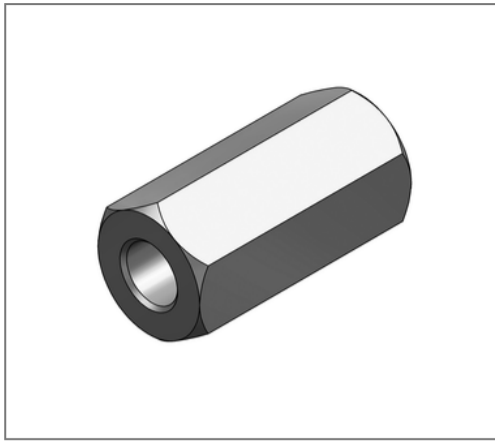


■ Threaded coupling hexagon Fem. thread M16 L= 50 mm



Commercial details

Part no.	0700167
EAN/GTIN	4250928416100
Packing unit	25 pcs
Quantity unit	pcs
Weight	0,136 kg/pc
Product group	05-070
Price unit	100

QR code



Technical data

Material	Steel
Surface	galvanized
Corrosion category	C2 very high
Surrounding area	Indoor area

Product details

Length L	50 mm
Female thread 1 M	M16
Length female thread 1	50 mm
Wrench size SW	24