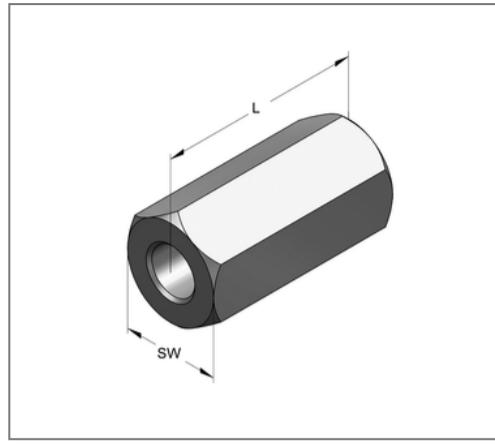
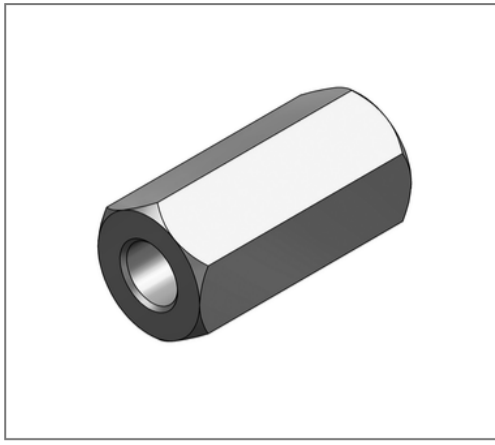


## ■ Threaded coupling hexagon Fem. thread M12 L= 40 mm



### Commercial details

Part no.	0700123
EAN/GTIN	4250928449948
Packing unit	50 pcs
Quantity unit	pcs
Weight	0,0533 kg/pc
Product group	05-070
Price unit	100

### QR code



### Technical data

Material	Steel
Surface	galvanized
Corrosion category	C2 very high
Surrounding area	Indoor area

### Product details

Length L	40 mm
Female thread 1 M	M12
Length female thread 1	40 mm
Wrench size SW	17