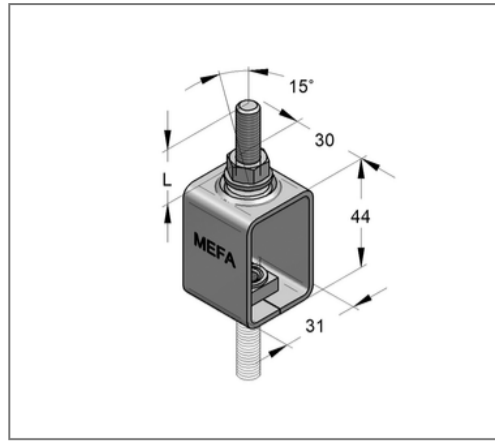
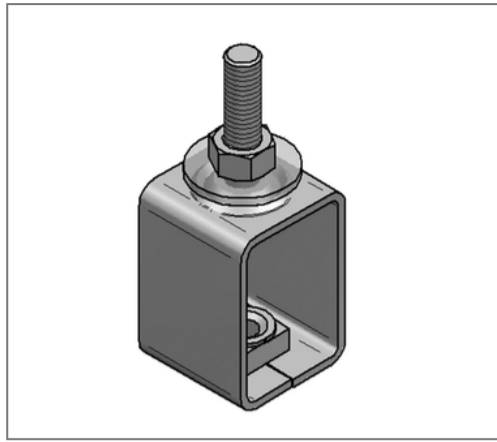


■ Pendulum hanger 15° IG-AG M12-M12



Commercial details

Part no.	0784250
EAN/GTIN	4250928418937
Packing unit	50 pcs
Quantity unit	pcs
Weight	0,137 kg/pc
Product group	05-078
Price unit	100

QR code



Specification

Application area	Height-adjustable suspension for individual mounting with threaded rods. Stepless height adjustment.
------------------	--

Technical data

Material	Steel
Material type	S235
Surface	galvanized
Corrosion category	C2 very high
Surrounding area	Indoor area

Product details

Length thread L	20 mm
Load F_z	3,6 kN
Swing angle	15
Height	44 mm