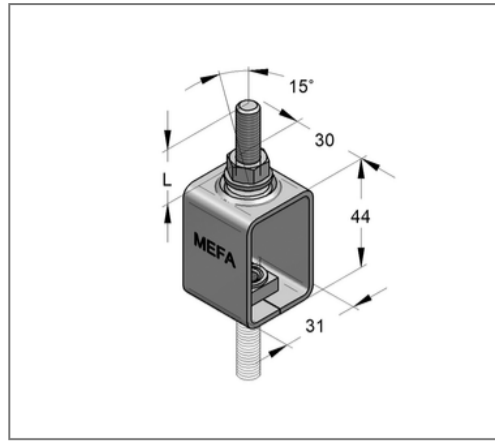
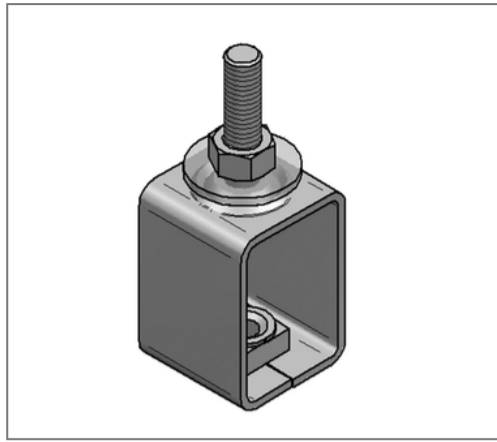


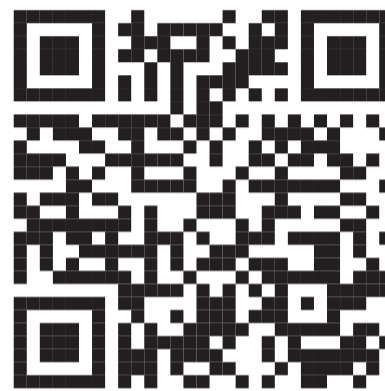
■ Pendulum hanger 15° IG-AG M10-M10



Commercial details

Part no.	0784136
EAN/GTIN	4250928418920
Packing unit	50 pcs
Quantity unit	pcs
Weight	0,119 kg/pc
Product group	05-078
Price unit	100

QR code



Specification

Application area	Height-adjustable suspension for individual mounting with threaded rods. Stepless height adjustment.
------------------	--

Technical data

Material	Steel
Material type	S235
Surface	galvanized
Corrosion category	C2 very high
Surrounding area	Indoor area

Product details

Length thread L	22 mm
Load F_z	3 kN
Swing angle	15
Height	44 mm