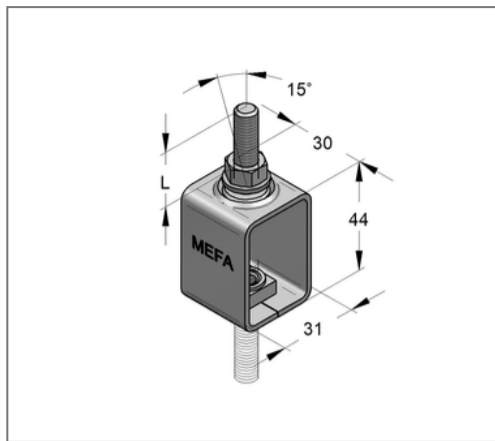
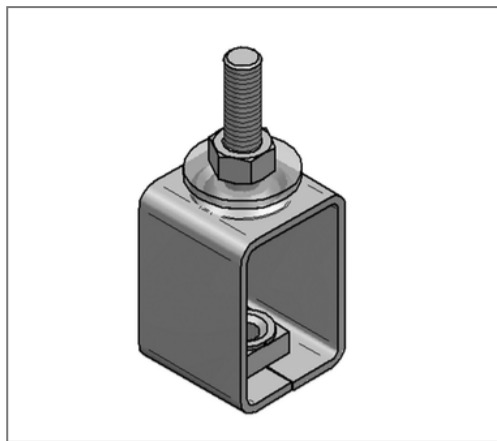


## ■ Pendulum hanger 15° IG-AG M8-M8



### Commercial details

Part no.	0784031
EAN/GTIN	4250928418913
Packing unit	50 pcs
Quantity unit	pcs
Weight	0,106 kg/pc
Product group	05-078
Price unit	100

### QR code



### Specification

Application area	Height-adjustable suspension for individual mounting with threaded rods. Stepless height adjustment.
------------------	--

### Technical data

Material	Steel
Material type	S235
Surface	galvanized
Corrosion category	C2 very high
Surrounding area	Indoor area

### Product details

Length thread L	22 mm
Load $F_z$	2,5 kN
Swing angle	15
Height	44 mm