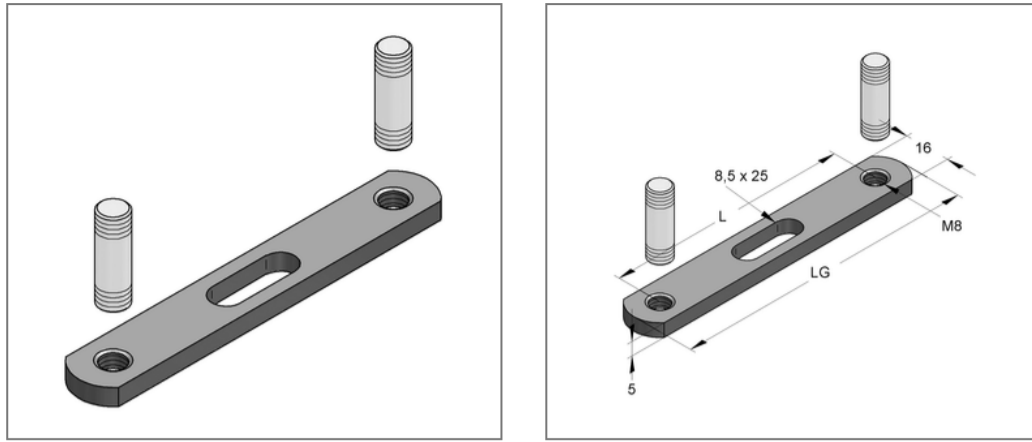


■ Double holder with female thread Center distance L 160 mm Connection M8



Commercial details

Part no.	0763160
EAN/GTIN	4250928417398
Packing unit	100 pcs
Quantity unit	pcs
Weight	0,102 kg/pc
Product group	05-076
Price unit	100

QR code



Specification

Application area	Holder with female thread for fastening two parallel pipelines in combination with pipe clamps.
------------------	---

Technical data

Material	Steel
Material type	S235
Surface	galvanized
Corrosion category	C2 very high
Surrounding area	Indoor area

Product details

Center distance L	160 mm
Width	16 mm
Height H	5 mm
Length LG	181 mm
Load F_z	0,2 kN