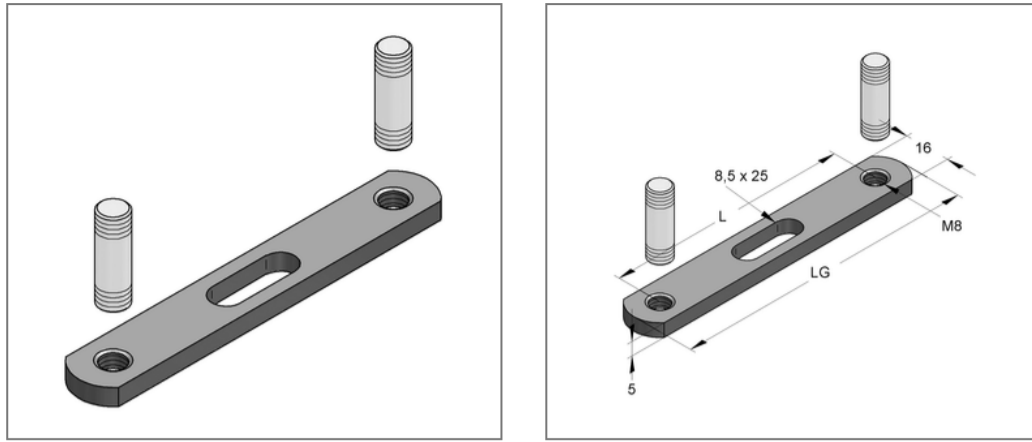


■ Double holder with female thread Center distance L 105 mm Connection M8



Commercial details

| | |
|---------------|---------------|
| Part no. | 0763128 |
| EAN/GTIN | 4250928417381 |
| Packing unit | 100 pcs |
| Quantity unit | pcs |
| Weight | 0,0666 kg/pc |
| Product group | 05-076 |
| Price unit | 100 |

QR code



Specification

| | |
|------------------|---|
| Application area | Holder with female thread for fastening two parallel pipelines in combination with pipe clamps. |
|------------------|---|

Technical data

| | |
|--------------------|--------------|
| Material | Steel |
| Material type | S235 |
| Surface | galvanized |
| Corrosion category | C2 very high |
| Surrounding area | Indoor area |

Product details

| | |
|---------------------|----------|
| Center distance L | 105 mm |
| Width | 16 mm |
| Height H | 5 mm |
| Length LG | 125,5 mm |
| Load F _Z | 0,2 kN |