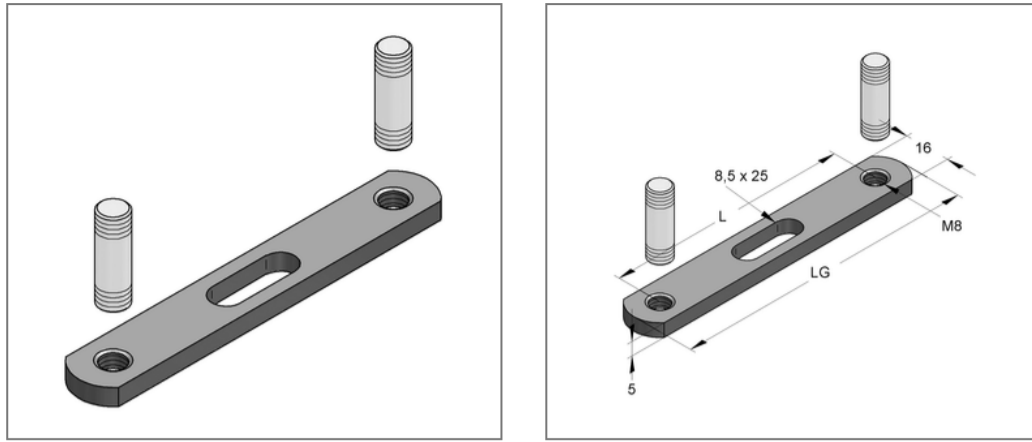


## ■ Double holder with female thread Center distance L 85 mm Connection M8



### Commercial details

Part no.	0763098
EAN/GTIN	4250928417374
Packing unit	100 pcs
Quantity unit	pcs
Weight	0,0541 kg/pc
Product group	05-076
Price unit	100

### QR code



### Specification

Application area	Holder with female thread for fastening two parallel pipelines in combination with pipe clamps.
------------------	---

### Technical data

Material	Steel
Material type	S235
Surface	galvanized
Corrosion category	C2 very high
Surrounding area	Indoor area

### Product details

Center distance L	85 mm
Width	16 mm
Height H	5 mm
Length LG	105,5 mm
Load F <sub>Z</sub>	0,2 kN