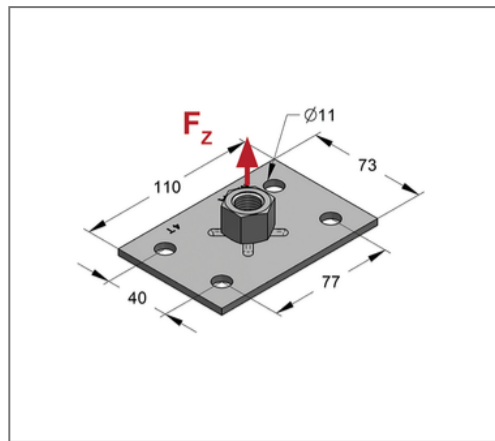
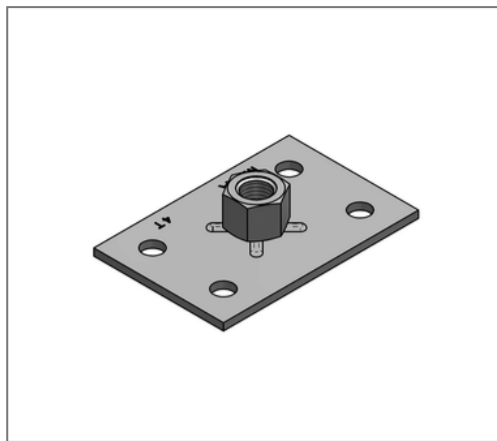


## ■ Base plate Type II Connection 1/2" Plate 110x73x4 mm



### Commercial details

Part no.	059050901
EAN/GTIN	4250928415165
Packing unit	50 pcs
Quantity unit	pcs
Weight	0,277 kg/pc
Product group	05-059
Price unit	100

### QR code



### Specification

Number of fixing holes	4 pcs
------------------------	-------

### Technical data

Material	Steel
Material type	S235
Surface	galvanized
Corrosion category	C2 very high
Surrounding area	Indoor area

### Product details

Connection	1/2"
Length	110 mm
Width	73 mm
Thickness	4 mm
Load $F_z$	3,4 kN
Hole distance lengthwise	77 mm
Hole distance crosswise	40 mm