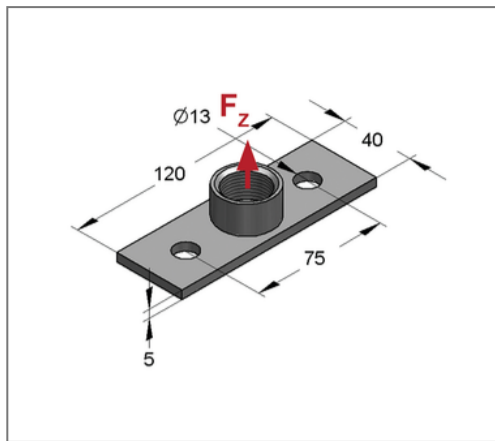
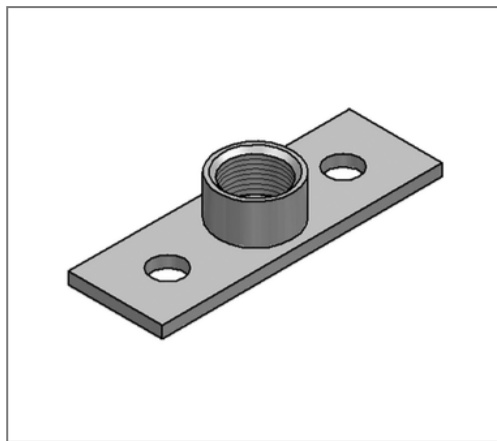


## ■ Base plate Type V Connection 3/4" Plate 120x40x5 mm



### Commercial details

Part no.	0590587
EAN/GTIN	4250928415288
Packing unit	50 pcs
Quantity unit	pcs
Weight	0,226 kg/pc
Product group	05-059
Price unit	100

### QR code



### Specification

Number of fixing holes	2 pcs
------------------------	-------

### Technical data

Material	Steel
Material type	S235
Surface	galvanized
Corrosion category	C2 very high
Surrounding area	Indoor area

### Product details

Connection	3/4"
Length	120 mm
Width	40 mm
Thickness	5 mm
Load $F_z$	2,7 kN
Hole distance lengthwise	75 mm