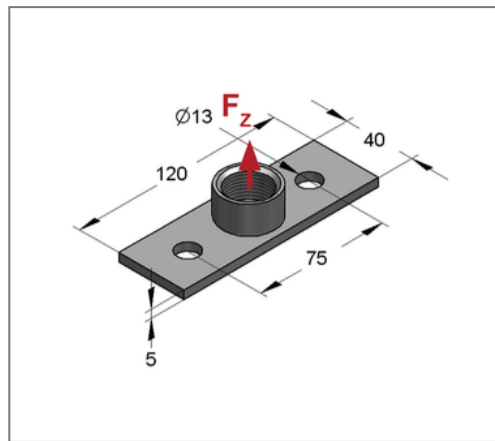
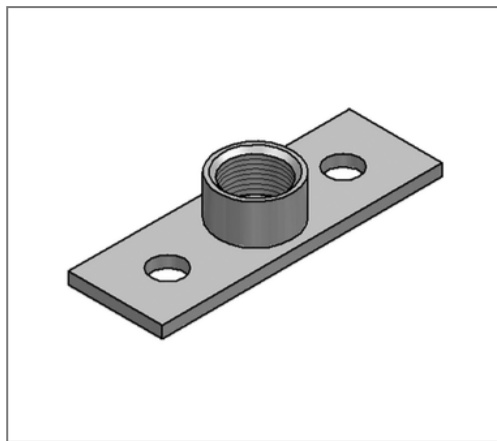


■ Base plate Type V Connection 1/2" Plate 120x40x5 mm



Commercial details

Part no.	0590586
EAN/GTIN	4250928415271
Packing unit	50 pcs
Quantity unit	pcs
Weight	0,213 kg/pc
Product group	05-059
Price unit	100

QR code



Specification

Number of fixing holes	2 pcs
------------------------	-------

Technical data

Material	Steel
Material type	S235
Surface	galvanized
Corrosion category	C2 very high
Surrounding area	Indoor area

Product details

Connection	1/2"
Length	120 mm
Width	40 mm
Thickness	5 mm
Load F_z	2,7 kN
Hole distance lengthwise	75 mm