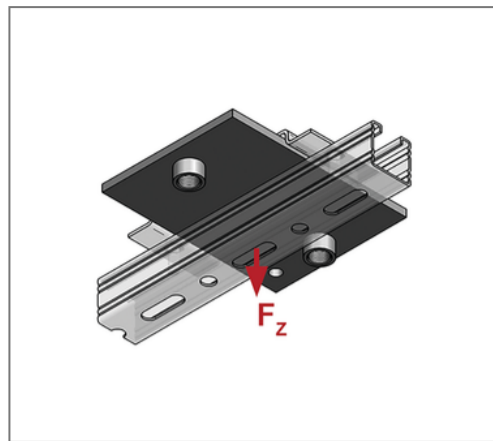
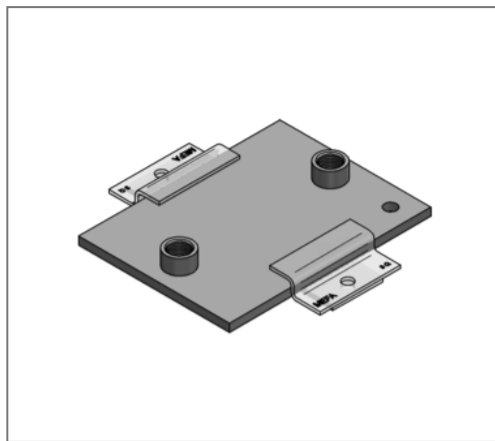
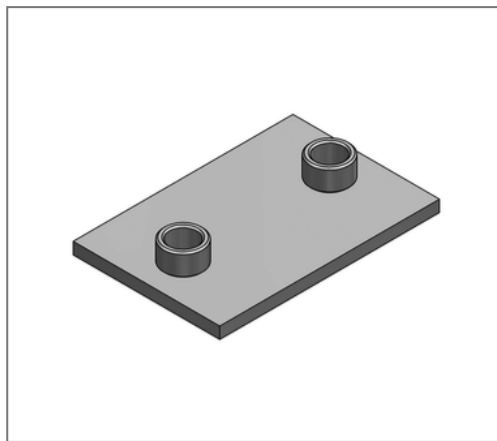


■ Sliding plate 250 x 100 x 8 Connection 2 x 1"



Commercial details

Part no.	0771538
EAN/GTIN	4250928418333
Packing unit	1 pcs
Quantity unit	pcs
Weight	1,75 kg/pc
Product group	04-077
Price unit	100

QR code



Technical data

Material	Steel
Material type	S235
Surface	galvanized
Corrosion category	C2 very high
Surrounding area	Indoor area

Product details

Connection	1"
Length L	250 mm
Width B	100 mm
Thickness S	8 mm
Load F_z	2,2 kN
Axial dimension a	25 mm
Number of connections	2
max. sliding distance axial hanging	120 mm
max. sliding distance axial standing	200 mm