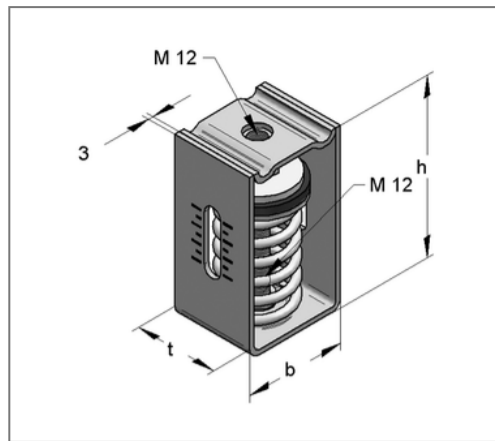
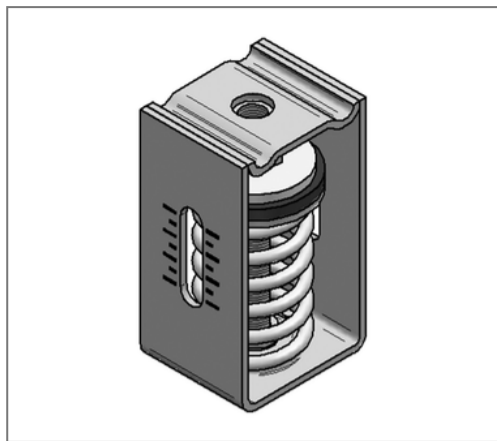


■ Spring hanger FH 1 - 400 F 0 - 386 N max. spring deflection 30 mm



Commercial details

Part no.	0794040
EAN/GTIN	4250928419088
Packing unit	1 pcs
Quantity unit	pcs
Weight	0,591 kg/pc
Product group	03-079
Price unit	1

QR code



Specification

Application	Spring isolators as flexible pipe hangers or for area elastic mounting of aggregates.
Number of springs	1

Technical data

Material	Steel
Material type	S235
Surface	galvanized
Corrosion category	C2 very high
Surrounding area	Indoor area

Product details

Connection	M12
Width b	60 mm
Height h	105 mm
Length t	50 mm
Spring rate	12,87 N/mm
max. spring deflection	30 mm
max. load range	386 N