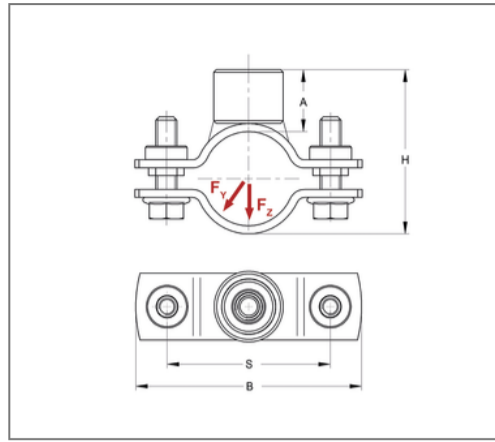
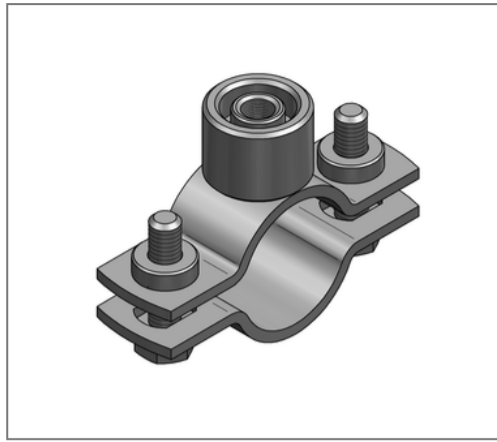


■ Pipe clamp Maxima PSM 3G 25x3 41 - 46 mm M8/M10 + 1/2" unlined



Commercial details

Part no.	0069097
EAN/GTIN	4250928402738
Packing unit	1 pcs
Quantity unit	pcs
Weight	0,258 kg/pc
Product group	01-006
Price unit	100

QR code



Specification

Application	Clamp pipe clip for fixpoint FGL. Pipe clamp for area fixing pipes.
Specification	two-part
Connection	M8/M10 + 1/2"
Closure	Pendulum stick nuts

Technical data

Material	Steel
Material type	S235
Surface	galvanized
Sound insulation lining	unlined

Product details

Center distance S	74 mm
Connection height A	23 mm
Width B	98 mm
Height H	62 - 67 mm
Material dimension	25x3 mm
load F_Y	0,7 kN
load F_Z	3 kN
Clamping range	41 - 46 mm
Closure screw	M8