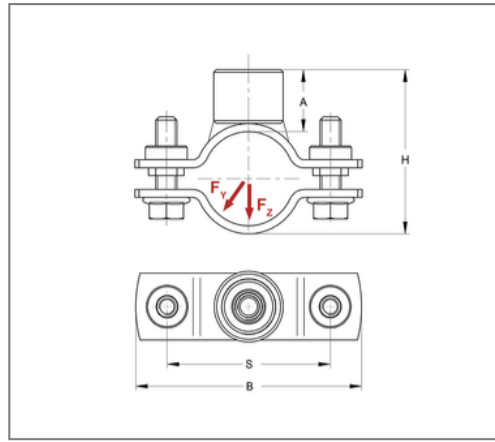
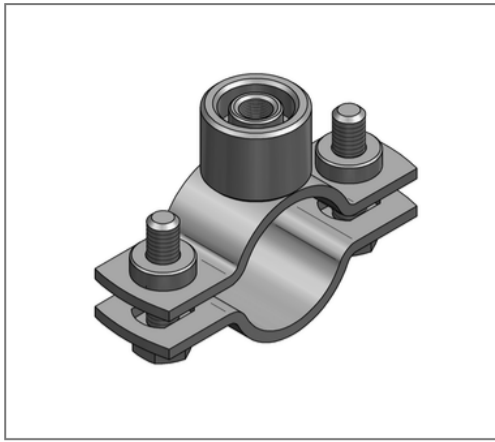


## ■ Pipe clamp Maxima PSM 3G 25x3 30 - 35 mm M8/M10 + 1/2" unlined



### Commercial details

Part no.	0069053
EAN/GTIN	4250928402707
Packing unit	1 pcs
Quantity unit	pcs
Weight	0,235 kg/pc
Product group	01-006
Price unit	100

### QR code



### Specification

Application	Clamp pipe clip for fixpoint FGL. Pipe clamp for area fixing pipes.
Specification	two-part
Connection	M8/M10 + 1/2"
Closure	Pendulum stick nuts

### Technical data

Material	Steel
Material type	S235
Surface	galvanized
Corrosion category	C2 very high
Surrounding area	Indoor area
Sound insulation lining	unlined

### Product details

Center distance S	63 mm
Connection height A	23 mm
Width B	87 mm
Height H	51 - 56 mm
Material dimension	25x3 mm
Load $F_Y$	0,7 kN
Load $F_Z$	3 kN
Clamping range	30 - 35 mm
Closure screw	M8