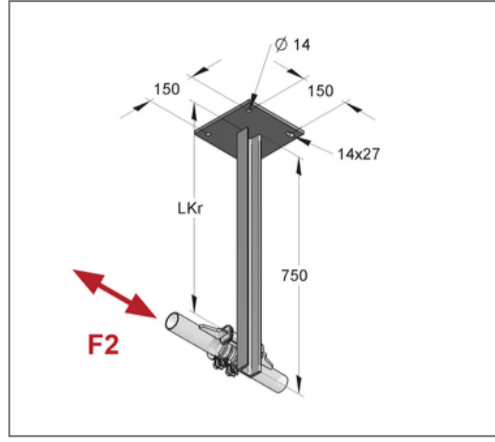
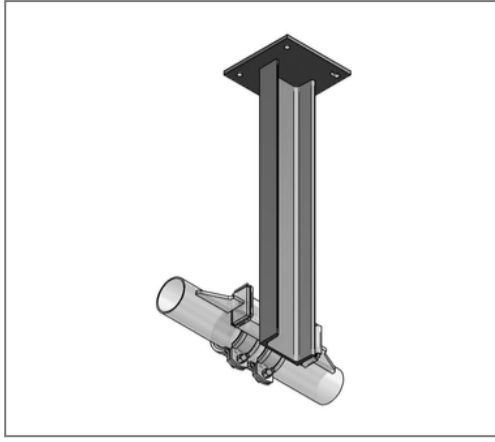


## ■ Fixpoint console U-profile 50/38 L= 750 mm Plate raw



### Commercial details

Part no.	9997799
EAN/GTIN	4250928446947
Packing unit	1 pcs
Quantity unit	pcs
Weight	7,26 kg/pc
Product group	03-002
Price unit	1

### QR code



### Specification

Application area	Fixpoint console for welding to fixpoints. For type A and B. Must be cut to length on site.
Specification	The U-shaped steel is welded to the anchor plate on all sides.

### Technical data

Material	Steel
Surface	raw

### Product details

Width plate	200 mm
Length plate	200 mm
Hole distance	150 mm
Plate thickness	10 mm
Width profile	50 mm
Profile height	38 mm
Length console LKr	750 mm
Elongated hole plate	14x27 mm

### Remark

Delivery time	5 working days, ex works
---------------	--------------------------