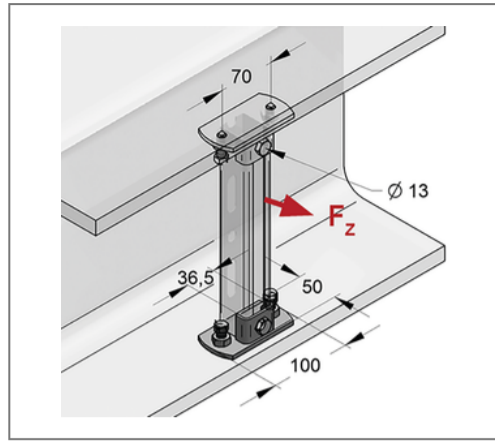
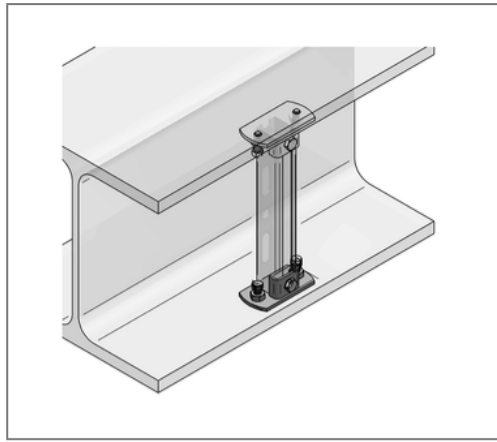


■ Beam clamping device C-profile 35 for profile 35/21, Stex 35/35 + 35/42



Commercial details

Part no.	9999695
EAN/GTIN	4250928448460
Packing unit	20 pcs
Quantity unit	pcs
Weight	0,301 kg/pc
Product group	02-081
Price unit	1

QR code



Specification

Application area	For clamped fixation at steel girder (IPE 120 or U 160).
Profile type	35/21, Stex 35/35 + 35/42
Recommended accessories	threaded square plate 30x22 (Beam clamping device 35), threaded square plate 35x30 (Beam clamping device L 45)

Technical data

Material	Steel
Material type	S235
Surface	galvanized
Corrosion category	C2 very high
Surrounding area	Indoor area

Product details

Width	50 mm
Length	100 mm
Hole-Ø	13 mm
Tightening torque	25 Nm
Center distance screw	70 mm
Load F_z 35/21 (L = 400 mm)	2 kN
Load F_z 35/35 (L = 400 mm)	2 kN
Load F_z 35/42 (L = 400 mm)	3 kN