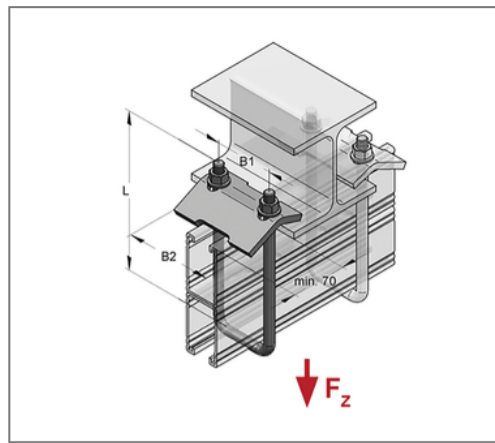
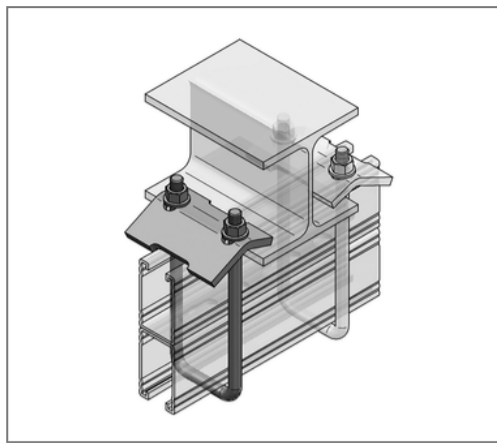


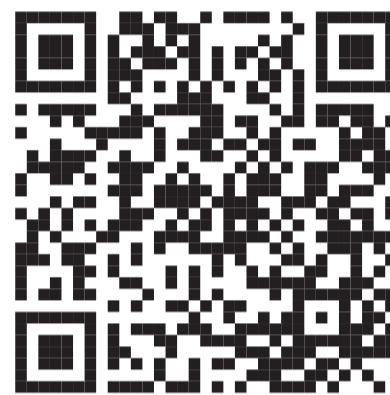
■ Clamping bow M12 C-profile 45 Profile height 120 - 150 Clamping thickness 29 mm



Commercial details

Part no.	08167501
EAN/GTIN	4250928420497
Packing unit	20 pcs
Quantity unit	pcs
Weight	0,831 kg/pc
Product group	02-081
Price unit	1

QR code



Specification

Application area	For mounting of C-profile rail on steel girder.
Profile type	45

Technical data

Material	Steel
Material type	ST 36 FK 4.6
Surface	galvanized
Corrosion category	C2 very high
Surrounding area	Indoor area

Product details

Load F_z	7 kN
Thread	M12
max. clamping thickness	29 mm
Tightening torque	30 Nm
Profile height	120 - 150 mm
Center distance U-bolt B1	59 mm
Width tensioning bracket B2	100 mm
Length U-bolt L	210 mm
min. edge distance	70 mm