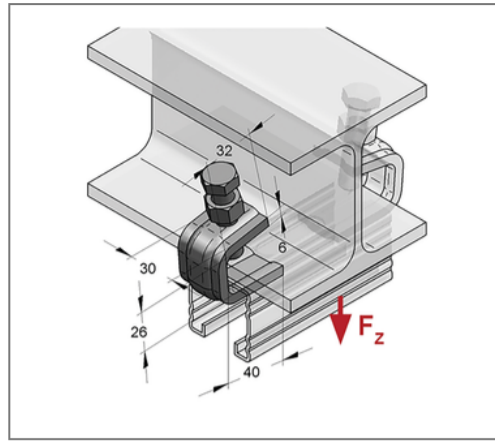
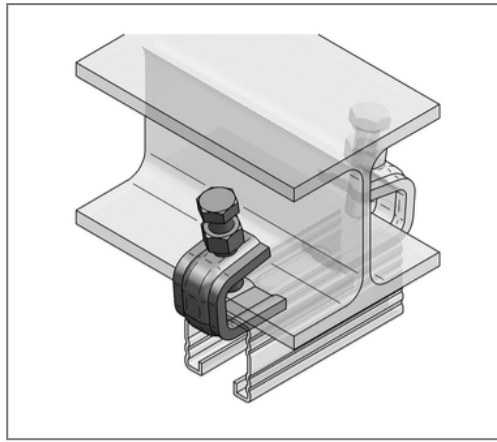


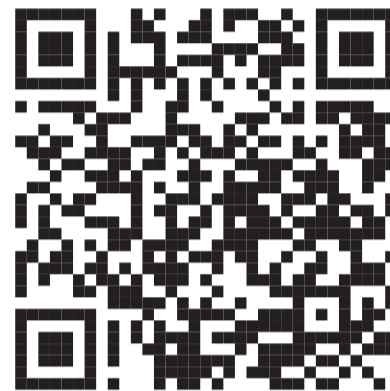
## ■ Rail clamp C-profile 35-45 max. clamping thickness 23 mm



### Commercial details

|               |               |
|---------------|---------------|
| Part no.      | 0816477       |
| EAN/GTIN      | 4250928420336 |
| Packing unit  | 20 pcs        |
| Quantity unit | pcs           |
| Weight        | 0,226 kg/pc   |
| Product group | 02-081        |
| Price unit    | 1             |

### QR code



### Specification

|                  |  |
|------------------|--|
| Application area | For mounting the C-profile rail on steel girder. |
| Pre-load         | 8 Nm   |

### Technical data

|                    |              |
|--------------------|--------------|
| Material           | Steel        |
| Material type      | St 44-2      |
| Surface            | galvanized   |
| Corrosion category | C2 very high |
| Surrounding area   | Indoor area  |
| Screw type         | M12, SW 19   |
| Type screw nut     | M12x50, SW19 |

### Product details

|                         |       |
|-------------------------|-------|
| Width                   | 30 mm |
| Height                  | 26 mm |
| Load $F_z$              | 5 kN  |
| Thickness               | 6 mm  |
| max. clamping thickness | 23 mm |