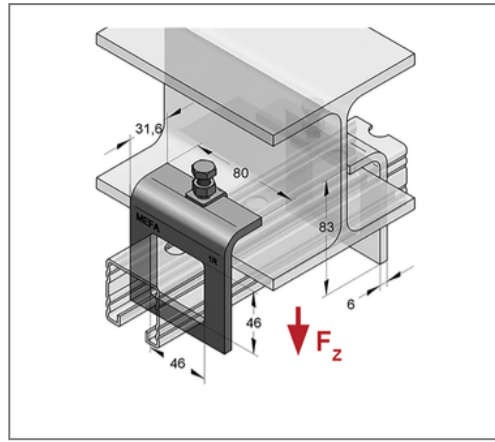
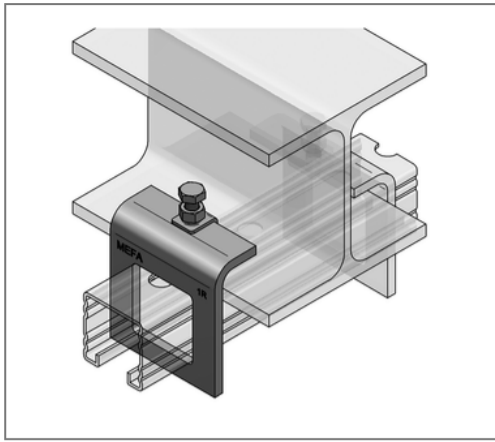


■ Clamping claw C-profile 45 Profile height 45 mm Clamping thickness 17 mm



Commercial details

Part no.	08165071
EAN/GTIN	4250928448002
Packing unit	50 pcs
Quantity unit	pcs
Weight	0,336 kg/pc
Product group	02-081
Price unit	1

QR code



Specification

Application	Production of a firm clamping connection for area
Profile type	45
clamping	M10x30
screw type	

Technical data

Material	Steel
Material type	S235
Surface	galvanized
Corrosion category	C2 very high
Surrounding area	Indoor area

Product details

Width	80 mm
Height	83 mm
Length	31,6 mm
Clamping thickness	17 mm
Thickness	6 mm
Tightening torque	8 Nm
Profile height	45 mm
Plug-in	46 mm
Load F_z	6 kN