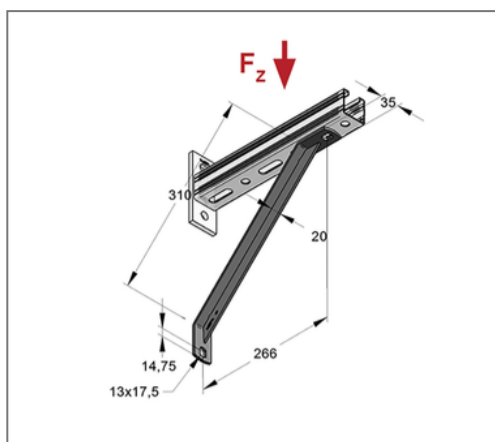
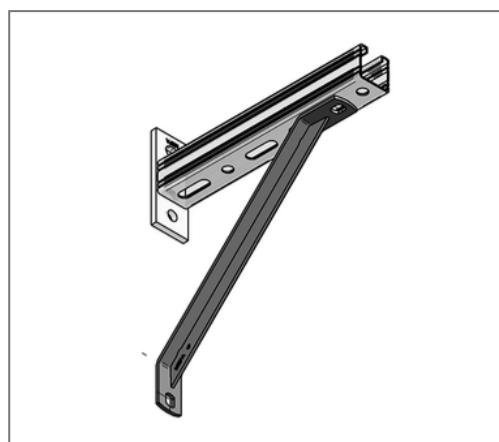


■ Brace 45° L= 310 mm for console 35 + 45



Commercial details

Part no.	0815101
EAN/GTIN	4250928420138
Packing unit	25 pcs
Quantity unit	pcs
Weight	0,673 kg/pc
Product group	02-081
Price unit	1

QR code



Specification

Application	To increase the loading capacity of consoles and wall brackets.
Console type	35 + 45

Technical data

Material	Steel
Material type	S235
Surface	galvanized
Corrosion category	C2 very high
Surrounding area	Indoor area

Product details

Length	310 mm
Width material	35 mm
Load F_z	11,5 kN
Elongated hole	13x17,5 mm